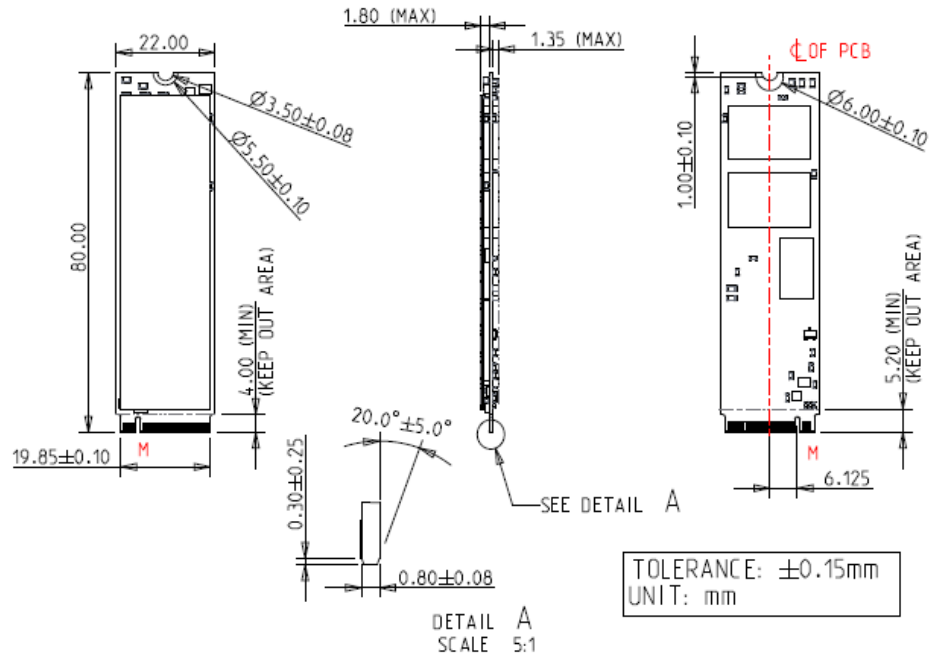
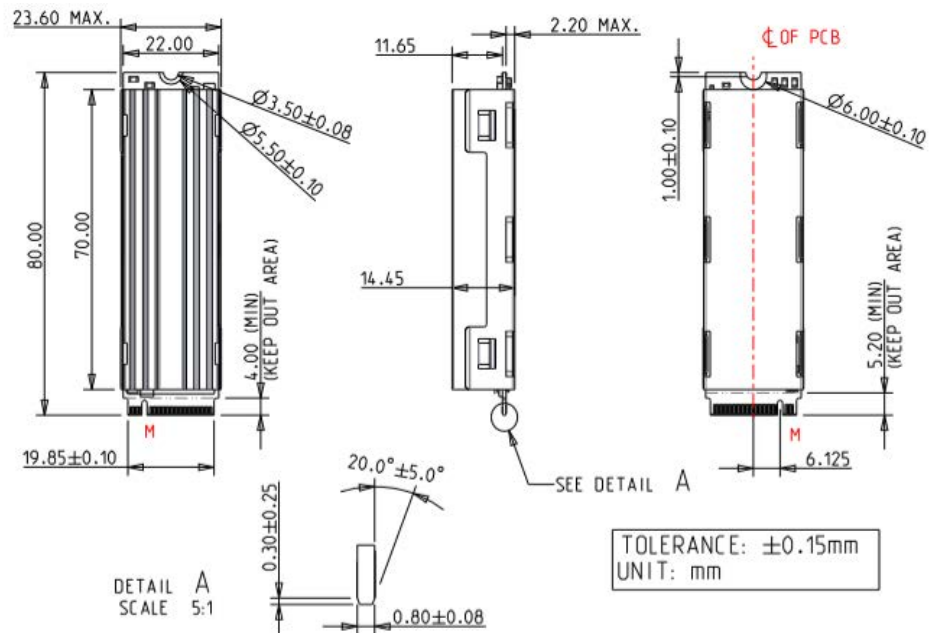


M.2 (P80) 3TG3-P AES series

Diagram(ST)



Diagram(WT)



M.2 (P80)

3TG3-P series

Interface	PCIe Gen. III x4
Flash Type	3D TLC
P/E cycle	10,000(ST); 3,000(WT)
Capacity	128GB~2TB
Max. Channels	8
Sequential R/W (MB/sec, max.)	3400/3200
Max. Power Consumption	7.4W
Thermal Sensor	√
External DRAM buffer	√
H/W Write Protect	NA
iCell	NA
Dimension (WxLxH)	22.0 X 80.0 X 3.5 mm; 22.0 X 80.0 X 3.95 mm with heat-spreading copper layer 23.6 X 80.0 X 14.45 mm with heatsink
Environment	Vibration: 20G @7~2000Hz Shock: 1500G @ 0.5ms Storage Temperature: -40°C ~ +85°C MTBF: 3 million hours

Ordering Information

Operation Temp.	128GB	256GB	512GB	1TB	2TB
Standard Grade (0°C ~ +70°C)	DGM28- A28DA2ECBDH	DGM28- B56DA2ECBOH	DGM28- C12DA2ECBEH	DGM28- 01TDA2ECBEH	DGM28- 02TDA2ECBEH
Industrial Grade (-40°C ~ +85°C)	DGM28- A28DA2HWADHH	DGM28- B56DA2HWAQHH	DGM28- C12DA2HWA EHH	DGM28- 01TDA2HWBEHH	NA