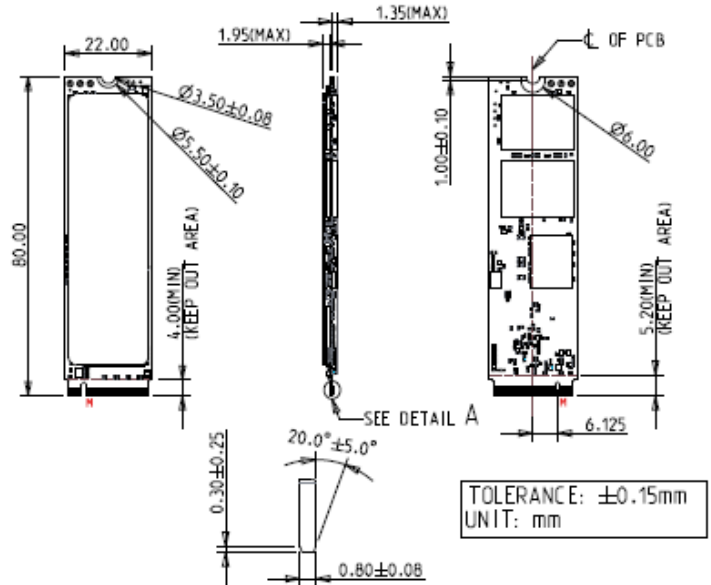


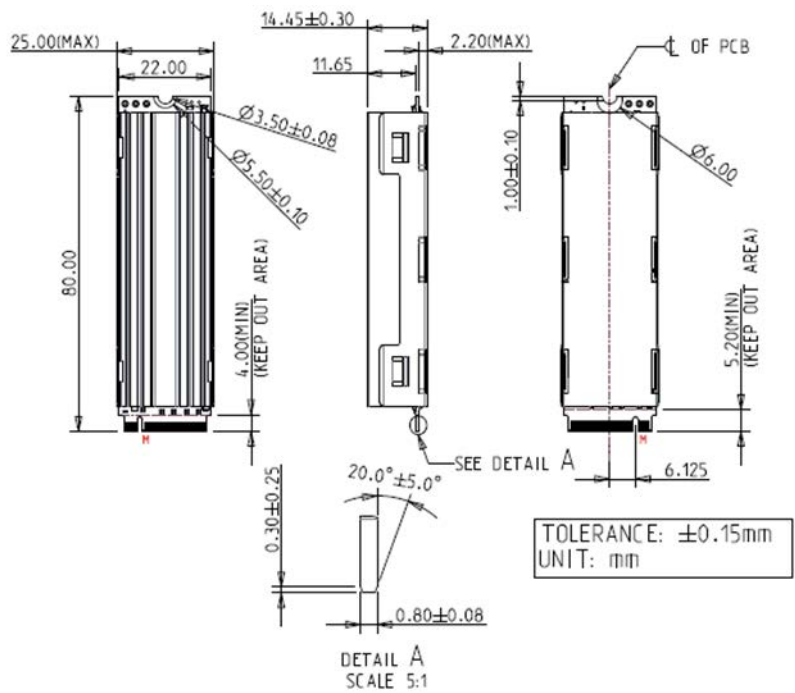
# M.2 (P80)

## 4TS2-P series

Diagram(ST)



Diagram(WT)



## Specifications

Interface	PCIe Gen. 4x4
Flash Type	3D TLC
P/E cycle	3,000
Capacity	400GB~3.2TB
Max. Channels	8
Sequential R/W (MB/sec, max.)	7,150/5,250
Max. Power Consumption	6.2W
Thermal Sensor	√
External DRAM buffer	√
H/W Write Protect	NA
Dimension (WxLxH)	ST with heat-spreading copper layer: 22.0 X 80.0 X 3.3 mm WT with heatsink: 25 X 80.0 X 14.45 mm (Pure M.2: 22.0 X 80.0 X 2.87 mm)
Environment	Vibration: 20G @7~2000Hz Shock: 1500G @ 0.5ms Storage Temperature: -40°C ~ +85°C MTBF: 3 million hours

## Ordering Information

Operation Temp.	400GB	800GB	1.6TB	3.2TB
Standard Grade (0°C ~ +70°C)	DSM28-400DP1KCAEF	DSM28-800DP1KCAEF	DSM28-1T6DP1KCAEF	DSM28-3T2DP1KCAEF
Industrial Grade (-40°C ~ +85°C)	DSM28-400DP1KWAEF	DSM28-800DP1KWAEF	DSM28-1T6DP1KWAEF	DSM28-3T2DP1KWAEF