

IES-1050



► Industrial 5-port Unmanaged Ethernet Switch

Features

- Supports 5 ports 10/100Base-T(X)
- Rigid IP-30 housing design
- DIN-Rail and panel mounting enabled

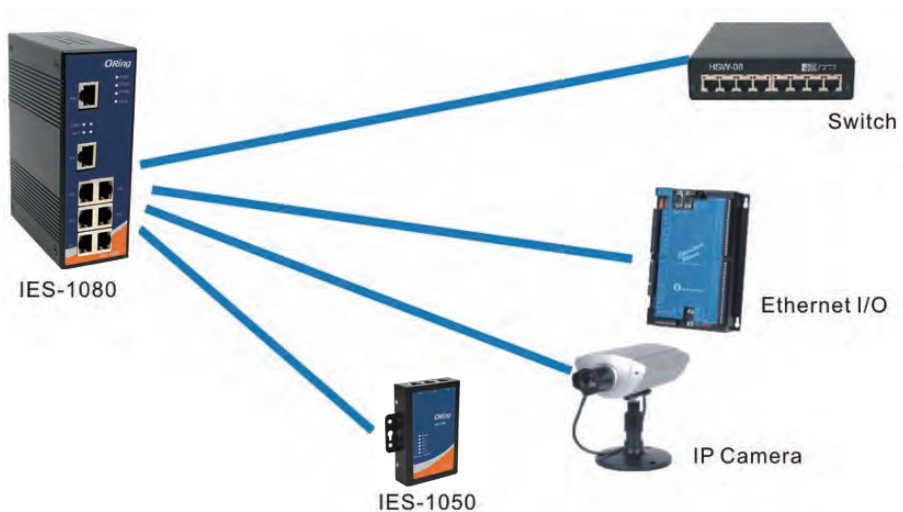


Introduction

IES-1050 is unmanaged Ethernet switch with 5x10/100Base-T(X) ports. With very compact size of housing, you can install IES-1050 easily. In addition, IES-1050 is with rigid IP-30 housing design and can operate under harsh environment. and can satisfy most requirement of operation.

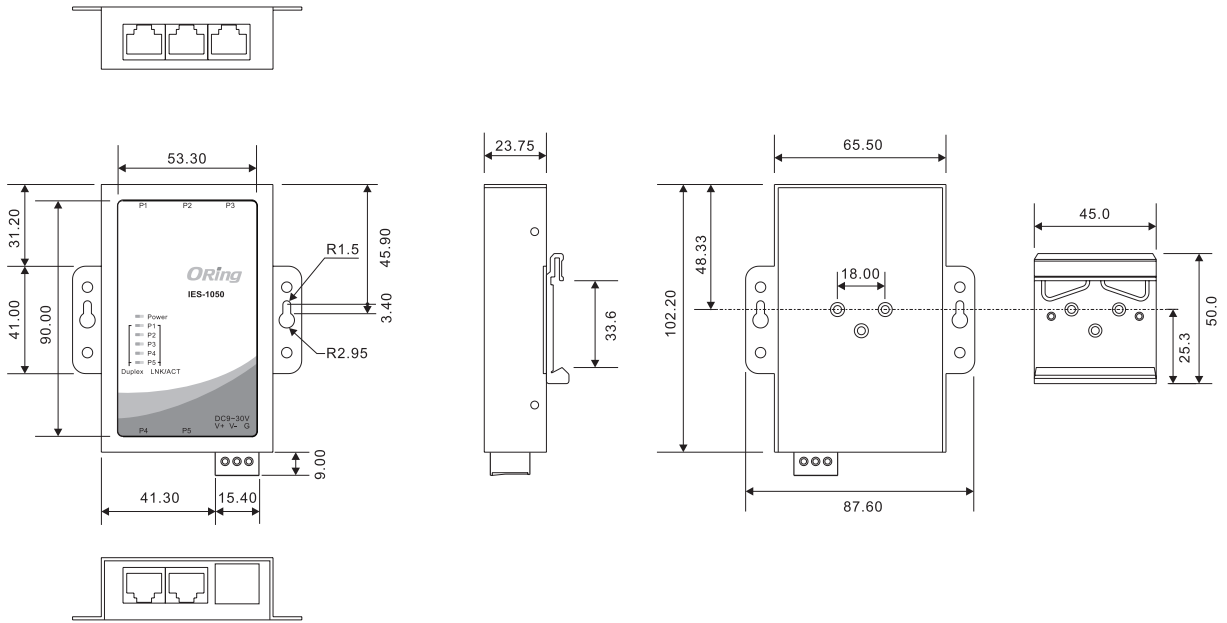
Practical Operation

IES-1050 can be used in connecting several Ethernet devices like Ethernet I/O, IP-Camera or other Ethernet switches. In addition, its compact size enables easily installation and minimize space requirement.



Connections of Ethernet devices

Dimensions



(Unit=mm)

Specifications

ORing Switch Model	IES-1050
Physical Ports	
10/100Base-T(X) Ports in RJ45 Auto MDI/MDIX	5
Technology	
Ethernet Standards	IEEE 802.3 for 10Base-T, IEEE 802.3u for 100Base-T(X) and 100Base-FX, IEEE 802.3x for Flow control
Processing	Store-and-Forward
LED Indicators	
Power / Ready Indicator	Green : Power LED x 1
10/100Base-T(X) RJ45 port Indicator	Green for port Link/Act. Amber for duplex indicator
Power	
Input Power	9 ~ 30 VDC voltage power input
Power Consumption (Typ.)	3W
Overload Current Protection	Present
Reverse Polarity Protection	Present
Physical Characteristic	
Enclosure	IP-30
Dimension (W x D x H)	87.6(W) x 23.75(D) x 102.2(H) mm (3.45x0.94x4.02 inch.)
Weight (g)	305 g

Environmental	
Storage Temperature	-40 to 85°C (-40 to 185°F)
Operating Temperature	-10 to 60°C (14 to 140°F)
Operating Humidity	5% to 95% Non-condensing
Regulatory approvals	
EMI	FCC Part 15, CISPR (EN55022) class A
EMS	EN61000-4-2 (ESD), EN61000-4-3 (RS), EN61000-4-4 (EFT), EN61000-4-5 (Surge), EN61000-4-6 (CS), EN61000-4-8, EN61000-4-11
Shock	IEC60068-2-27
Free Fall	IEC60068-2-32
Vibration	IEC60068-2-6
Safety	EN60950-1
Warranty	5 years

> Ordering Information

IES-1 **AA** **B**

Code Definition	10/100Base-T(X) Port Number	Additional Port Number
Option	- 05 : 5 ports	- 0 : 0 port

Available Model	Model Name	Description
	IES-1050	Industrial 5-port Unmanaged Ethernet Switch with 5x10/100Base-T(X)