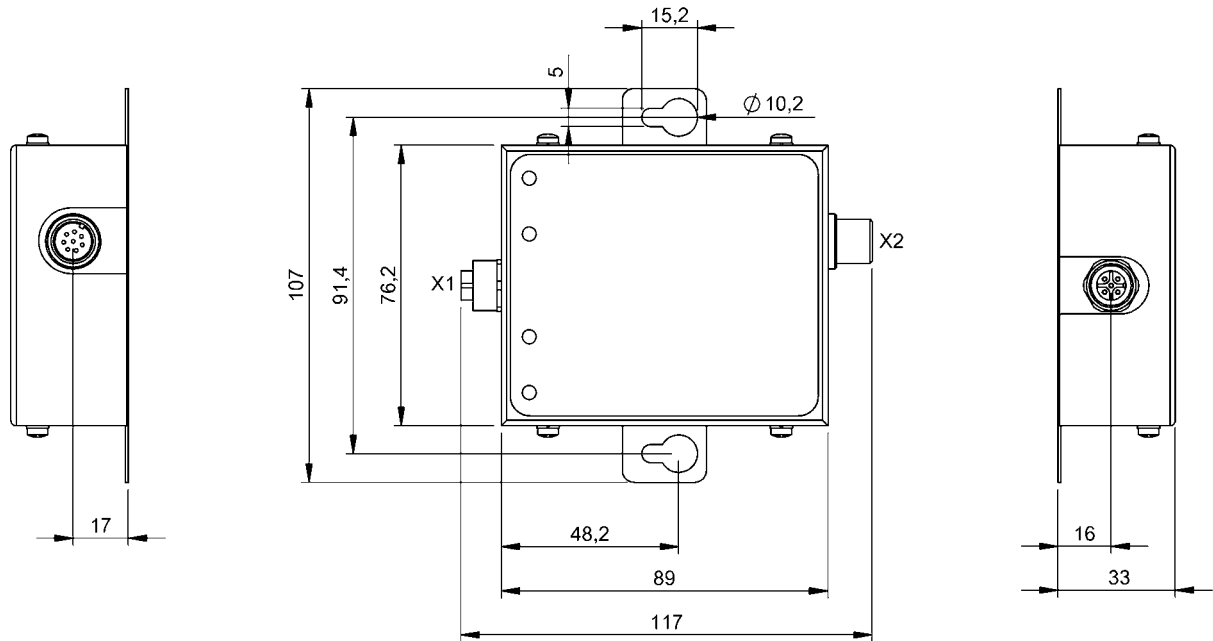


HF (13.56 MHz)
BIS Z-GW-001-RS232
 Order Code: BAE00JL

BALLUFF



Basic features

Approval/Conformity	CE FCC Part 15 EAC WEEE
EN 55011	Size 1, Cl. A
Principle of operation	Communications module

Display/Operation

Function indicator	Error, LED red RS 232, LED yellow Subnet 16 bus, LED yellow Power (ON), LED green
---------------------------	--

Electrical connection

Connection (COM 1)	X2 (RS232): M12x1-Male, 8-pin
Connection slots	X1 (Subnet 16/RS485/power supply): M12x1-Male, 5-pin

Electrical data

Current consumption max. at 24 V DC	133 mA
Operating voltage U_b	12...30 VDC
Residual ripple max.	10 %

Environmental conditions

Ambient temperature	-20...50 °C
Continuous shock load	yes
EN 60068-2-27, Shock	yes
EN 60068-2-32 Free fall	yes
EN 60068-2-6, Vibration	yes
IP rating	IP30
Storage temperature	-20...70 °C

Material

Housing material	Aluminum, Die casting
-------------------------	-----------------------

Mechanical data

Application weight	260.00 g
Dimension	107 x 33 x 117 mm

HF (13.56 MHz)
BIS Z-GW-001-RS232
Order Code: BAE00JL

BALLUFF

Output/Interface

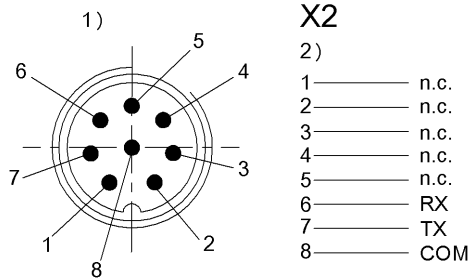
Auxiliary interfaces Subnet 16 (RS485)

Baud rate	9.6 kBaud
	19.2 kBaud
	38.4 kBaud
	57.6 kBaud
	115.2 kBaud
Interface	RS232

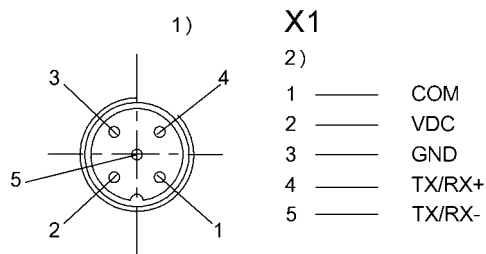
Remarks

Values are under rated conditions unless otherwise specified.

Connector Drawings



1) View towards connector
 2) Male 8-pin/ Function



1) View towards connector
 2) Female 5-pin/ Function