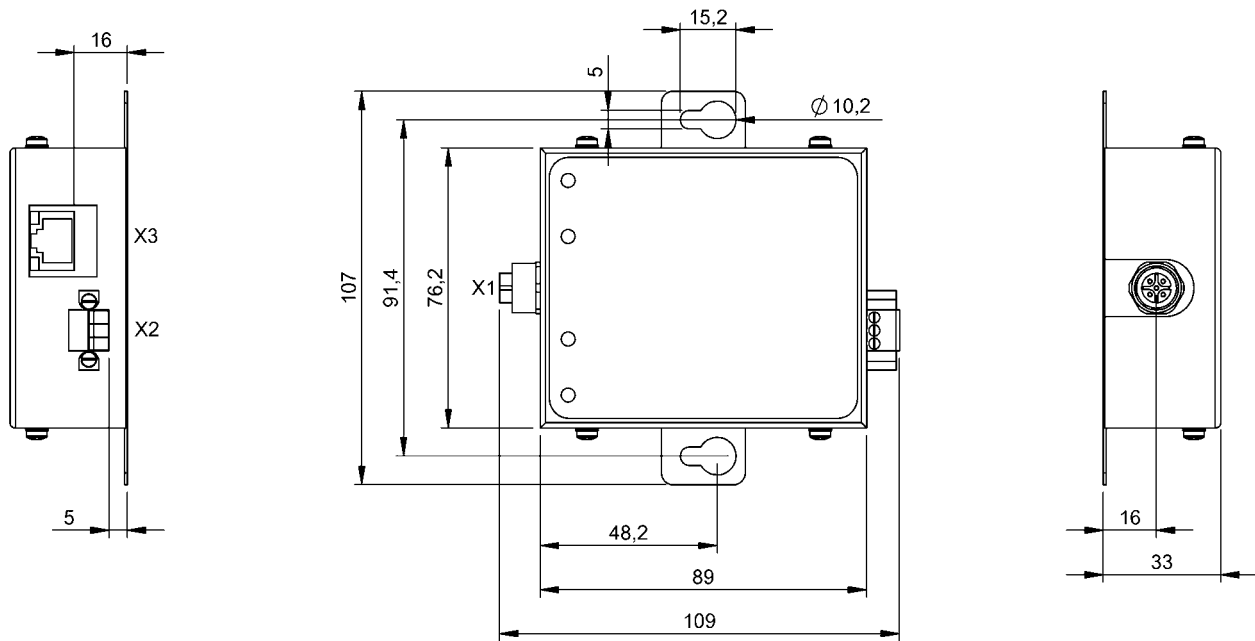


HF (13.56 MHz)
 BIS Z-GW-001-TCP
 Order Code: BAE00JM

BALLUFF



Basic features

Approval/Conformity	CE FCC Part 15 EAC WEEE
EN 55011	Size 1, Cl. A
Principle of operation	Communications module

Display/Operation

Function indicator	Error, LED red Ethernet, LED yellow Subnet 16 bus, LED yellow Power (ON), LED green
---------------------------	--

Electrical connection

Connection (COM 1)	X3 (Ethernet): Female
Connection (supply voltage IN)	X2 (for test purposes only):
Connection slots	X1 (Subnet 16/RS485/power supply): M12x1-Male, 5-pin

Electrical data

Current consumption max. at 24 V DC	133 mA
Operating voltage U_b	12...30 VDC
Residual ripple max.	10 %

Environmental conditions

Ambient temperature	-20...50 °C
Continuous shock load	yes
EN 60068-2-27, Shock	yes
EN 60068-2-32 Free fall	yes
EN 60068-2-6, Vibration	yes
IP rating	IP30
Storage temperature	-20...70 °C

Material

Housing material	Aluminum, Die casting
-------------------------	-----------------------

Mechanical data

Application weight	260.00 g
Dimension	107 x 33 x 109 mm

HF (13.56 MHz)
BIS Z-GW-001-TCP
Order Code: BAE00JM



Output/Interface

Auxiliary interfaces Subnet 16 (RS485)

Baud rate

10 MBaud

100 MBaud

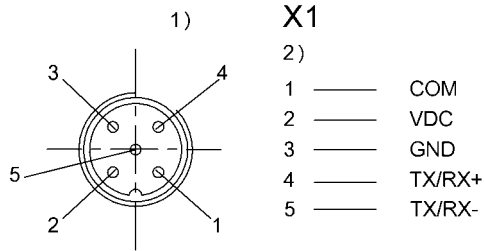
Interface

Ethernet TCP/IP

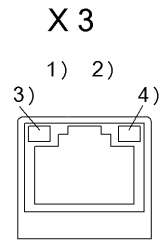
Remarks

Values are under rated conditions unless otherwise specified.

Connector Drawings



- 1) View towards connector
- 2) Female 5-pin/ Function



- 1) View towards connector
- 2) Female RJ45
- 3) Ethernet Link, LED yellow
- 4) Ethernet Traffic, LED green