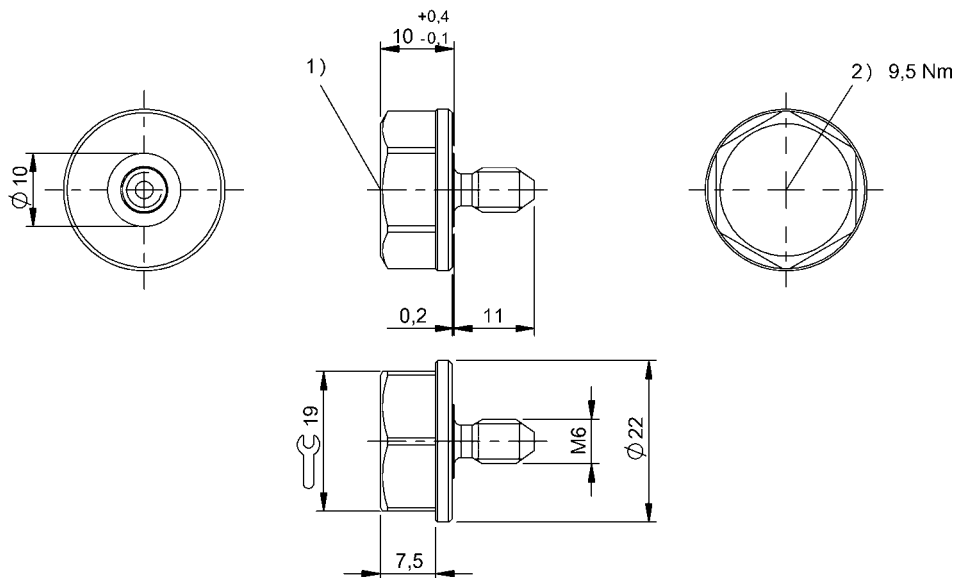


HF (13.56 MHz)  
**BIS M-143-02/A-M6-SA2**  
 Order Code: BIS0141

# BALLUFF



- 1) Sensing surface
- 2) Tightening torque



### Basic features

|                        |                   |
|------------------------|-------------------|
| Antenna type           | round             |
| Approval/Conformity    | CE<br>WEEE<br>EAC |
| EN 55022               | Size 1, Cl. B     |
| Principle of operation | Data carrier      |

### Electrical data

|                           |   |
|---------------------------|---|
| Data retention time/years | ≥ 10 at 55 °C                                       |
| Memory organization       | 250 × 8 bytes                                       |
| Programming cycles        | ≥ 10.000.000.000                                    |
| Programming time          | for 16 bytes: 0.060s                                |
| Read cycles               | Unlimited   |
| Read time                 | User ID for 8 bytes: 0.02 s<br>for 16 bytes: 0.03 s |

### Environmental conditions

|                         |               |
|-------------------------|---------------|
| Ambient temperature     | -25...70 °C   |
| Continuous shock load   | yes           |
| EN 60068-2-27, Shock    | yes           |
| EN 60068-2-32 Free fall | yes           |
| EN 60068-2-6, Vibration | yes           |
| IP rating per DIN 40050 | IP68<br>IPx9K |

### Functional Characteristics

|                              |           |
|------------------------------|-----------|
| Memory type                  | FRAM      |
| UID serial number, read-only | 8 Byte    |
| User data, read/write        | 2000 Byte |

### Material

|                                      |   |
|--------------------------------------|---|
| Housing material                     | Steel, Data carrier: PA 12-GF30, coated |
| Housing material, surface protection | coated                                  |

### Mechanical data

|                    |              |
|--------------------|--------------|
| Application weight | 17.00 g      |
| Dimension          | Ø 21 x 21 mm |

### Remarks

Values are under rated conditions unless otherwise specified.  
 Only when used together with the appropriate read/write head.

HF (13.56 MHz)

**BIS M-143-02/A-M6-SA2**

**Order Code: BIS0141**

**BALLUFF**

For installation requirements see corresponding read/write head.

Time specification includes data check.

Lubricate screw before installing.

We recommend lightly oiling the data carrier screws and storing in a dry location at room temperature.