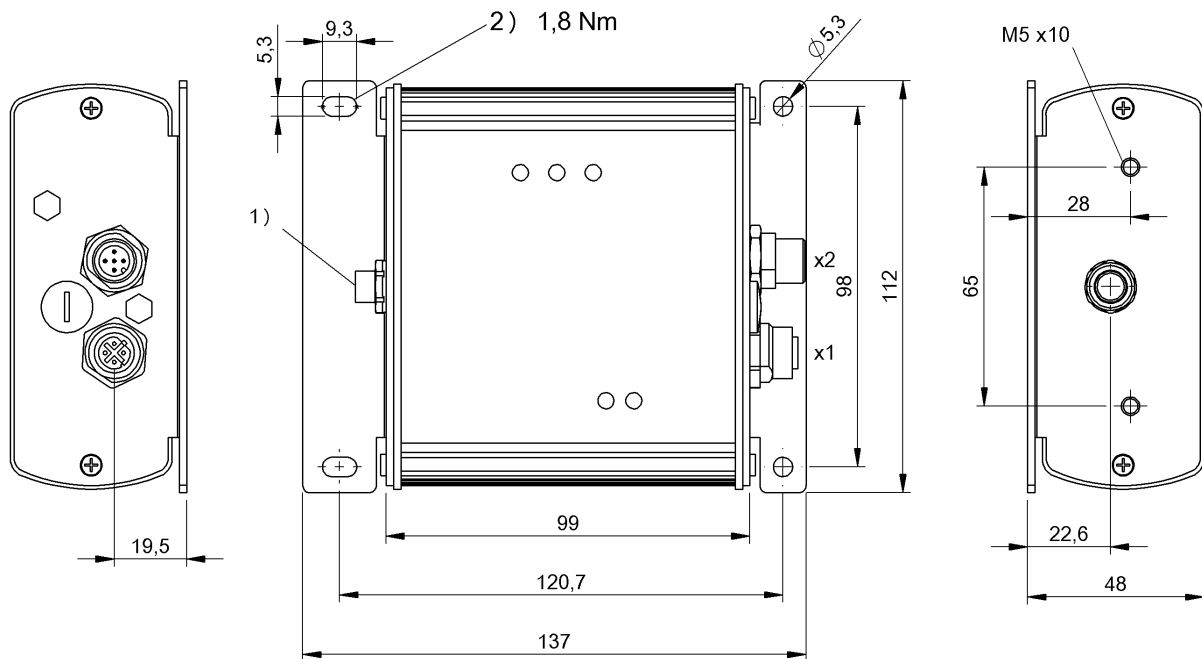


HF (13.56 MHz)
 BIS M-626-069-A01-06-ST31
 Order Code: BIS00ZC

BALLUFF



- 1) Antenna
- 2) Tightening torque



Basic features

Approval/Conformity	CE cULus EAC WEEE
EN 55022	Size 1, Cl. A
Principle of operation	Processor unit

Display/Operation

(BB) Ready	Green LED
Custom	LED yellow
Default	LED yellow
RF active	LED yellow

Electrical connection

Connection (COM 1)	X1 (Ethernet): M12x1-Female, 4-pin, D-coded
Connection (supply voltage IN)	X2: M12x1-Male, 5-pin
Connection slots	RCA-Female

Electrical data

Current consumption max. at 24 V DC	500 mA
Operating voltage U_b	19.2...28.8 VDC
Residual ripple max.	10 %

HF (13.56 MHz)
BIS M-626-069-A01-06-ST31
Order Code: BIS00ZC

BALLUFF

Environmental conditions

Ambient temperature	-20...50 °C
Continuous shock load	yes
EN 60068-2-27, Shock	yes
EN 60068-2-32 Free fall	yes
EN 60068-2-6, Vibration	yes
IP rating	IP65, with connector
Storage temperature	-20...70 °C

Functional safety

MTTF (40 °C)	44 a
--------------	------

Remarks

Values are under rated conditions unless otherwise specified.

Only for data carriers acc. to ISO 15693 and ISO 14443A.

For more information about MTTF and B10d see MTTF / B10d Certificate

Indication of the MTTF- / B10d value does not represent a binding composition and/or life expectancy assurance; these are simply experiential values with no warranty implications. These declared values also do not extend the expiration period for defect claims or affect it in any way.

Material

Housing material	Aluminum
------------------	----------

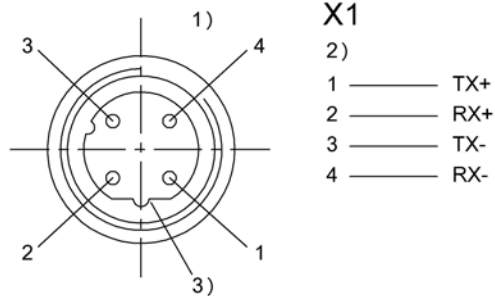
Mechanical data

Application weight	550.00 g
Dimension	112 x 48 x 137 mm

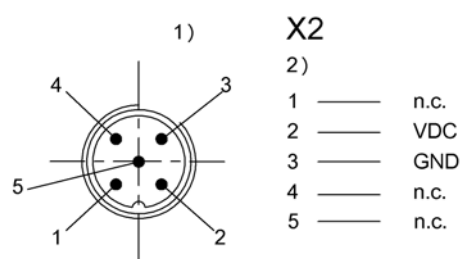
Output/Interface

Interface	Industrial Ethernet / Ethernet TCP/IP / MODBUS TCP
-----------	---

Connector Drawings



- 1) View towards connector
- 2) Female 4-pin/ Function
- 3) Coding D



- 1) View towards connector
- 2) Male 5-pin/ Function