

# R15IE3S-65EX

## 15" Intel® Atom® x6413E ATEX Panel PC



### KEY FEATURES

- Intel Atom® x6413E Processor 1.5M Cache, up to 3.00 GHz
- High Quality 15" Panel, 1024 x 768 resolution, 1000 nits
- P-cap multi touch screen Optical Bonding with Panel to increase the clarity and transparency
- Compliance with ATEX / IECEx / CID2 Design
- Fanless design with streamlined enclosure for highly efficient heat dissipation
- Dust/ Water proof design with VESA mount Full IP65 Panel PC
- Wide Range 9 to 36V DC Input with isolation
- -20 to 60°C wide operating temperature



### SPECIFICATIONS

#### System Specification

<b>Processor</b>	Intel Atom® x6413E ( up to 3.0GHz)	<b>Memory</b>	1 x SO-DIMM, DDR4 3200 MHz, 4GB 8GB (Optional) 16GB (Optional)
<b>Storage</b>	1 x M.2 2242 B-key SSD 128GB 256GB (Optional) 512GB (Optional)	<b>Ethernet controller</b>	1 x Intel® Ethernet Controller
<b>Operating System</b>	Windows 11 IoT Enterprise (64 bit) (Optional) Windows 11 Pro 64 bit (Optional) Windows 10 IoT Enterprise (64 bit) (Optional) Linux Ubuntu 22.04 (Optional)		

#### Display

<b>Touch / Glass</b>	Projected Capacitive Multi Touch Screen Bonding With Panel	<b>Resolution</b>	1024x768
<b>Size</b>	15.0 inches	<b>Contrast Ratio</b>	2000:1
<b>Panel Brightness</b>	550 nits 1000 nits(Optional)	<b>View Angles</b>	88,88,88,88
<b>Active Area</b>	304.1x228.1 mm		

#### Mechanical

<b>Dimension</b>	396 x 310 x 49 mm (Without Box Cover) 396 x 346.4 x 101.7 mm (With Box Cover)	<b>Weight</b>	5.7 kg (Without Box Cover) 10.2 Kg (With Box Cover)
<b>Mounting</b>	VESA Mount	<b>Enclosure</b>	Stainless Housing
<b>Cooling System</b>	Fanless design		

#### Environment

<b>Operating Humidity</b>	10% to 95% RH, Non-Condensing	<b>Operating Temperature</b>	-20°C to 60°C
<b>Storage Temperature</b>	-30°C to 70°C	<b>Shock</b>	MIL-STD-810G Method 516.6 Procedure I (Optional)
<b>Vibration</b>	MIL-STD-810G Method 514.6 Procedure I	<b>IP rating</b>	IP65
<b>Drop</b>	MIL-STD-810G Method 516.6 Procedure IV		

#### Certification

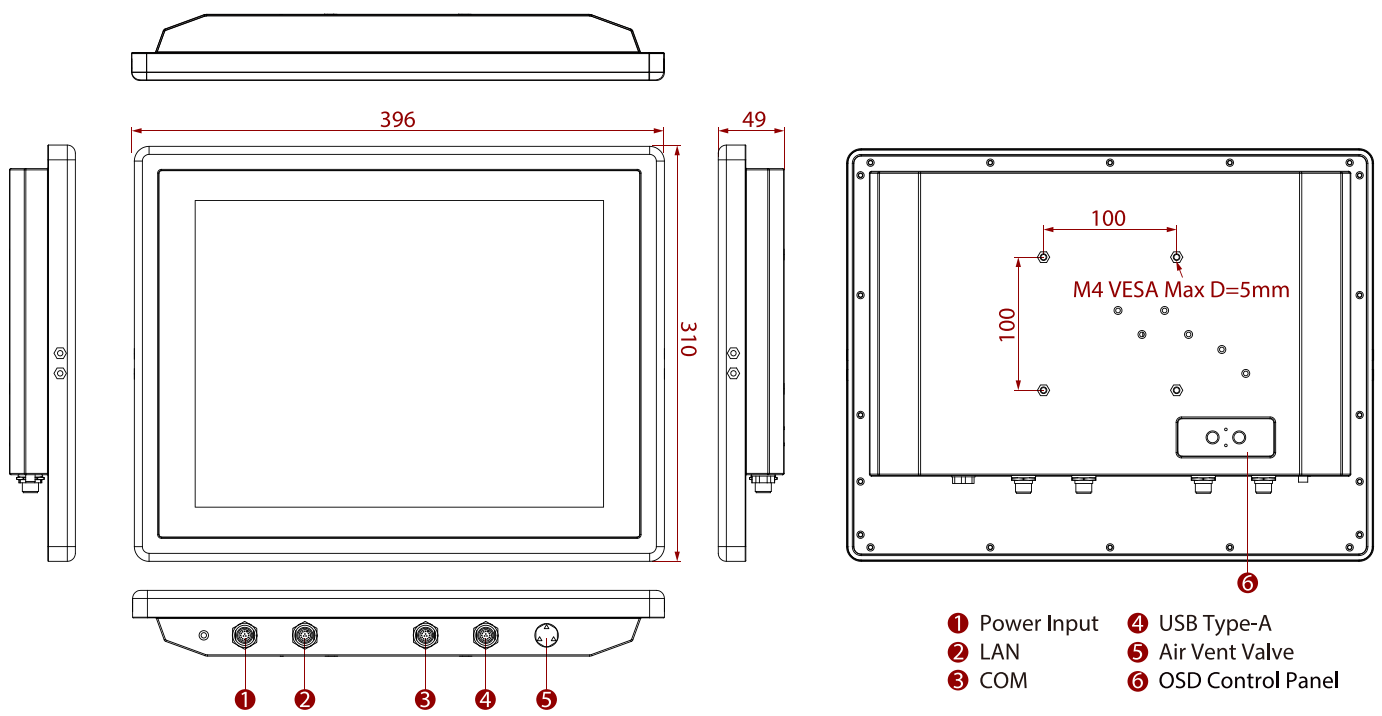
<b>Certification</b>	CE, FCC, IC Compliance with ATEX / IECEx / CID2 Design
----------------------	---

IO Ports			
<b>Power Input</b>	1 x 9~36V DC, M12 Type connector	<b>USB Port</b>	1x M12 type connector for 2 x USB2.0
<b>Serial Port</b>	1 x M12 connector for RS232/422/485 (Default RS232)	<b>Expansion Port</b>	1 x M.2 2242 B-key Slot (for SATA III SSD) 1 x M.2 2230 E-Key Slot (for Wi-Fi module)
<b>LAN</b>	1 x M12 type connector for Giga LAN	<b>Indicator</b>	1 x LED Indicator for power 1 x LED Indicator for storage
Control			
<b>Button</b>	1 x Power Button 1 x Reset Button		

Accessory	
<b>Accessory</b>	100~240V AC to DC Power Adapter with M12 Connector Power Cord M12 Type Power Cable M12 Type RS232 Male Cable M12 Type USB Female Cable M12 Type LAN Cable RJ45 female-female converter USB Adapter (USB type A to type B) VESA screws

**DIMENSIONS** UNIT:MM

w/o Box Cover



## With Box Cover

