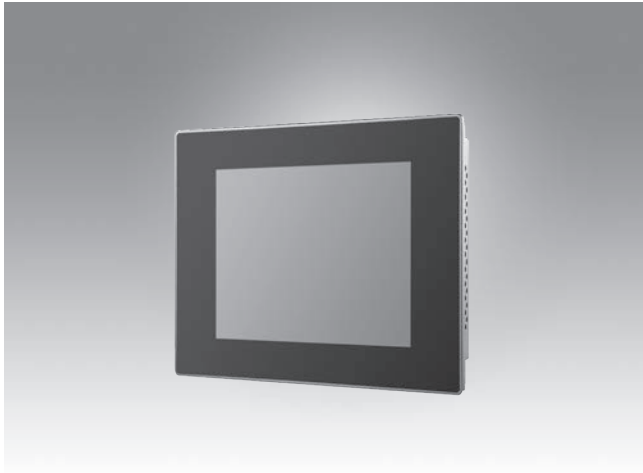


PPC-3060S

6.5"/7" Fanless Panel PC with Intel® Celeron® N2807 Processor



Features

- Industrial-grade 6.5"/7" VGA TFT LCD with LED backlight
- Durable true-flat touchscreen with 5-wire resistive/multi-touch projected touch control
- Intel® Celeron® N2807 dual-core, 1.58 GHz, processor
- Up to 4 GB DDR3L SDRAM
- Compact, fanless design with IP65-rated front panel
- Supports expansion via full-size mini PCIe
- Supports VESA 75 x 75 mounting holes



Introduction

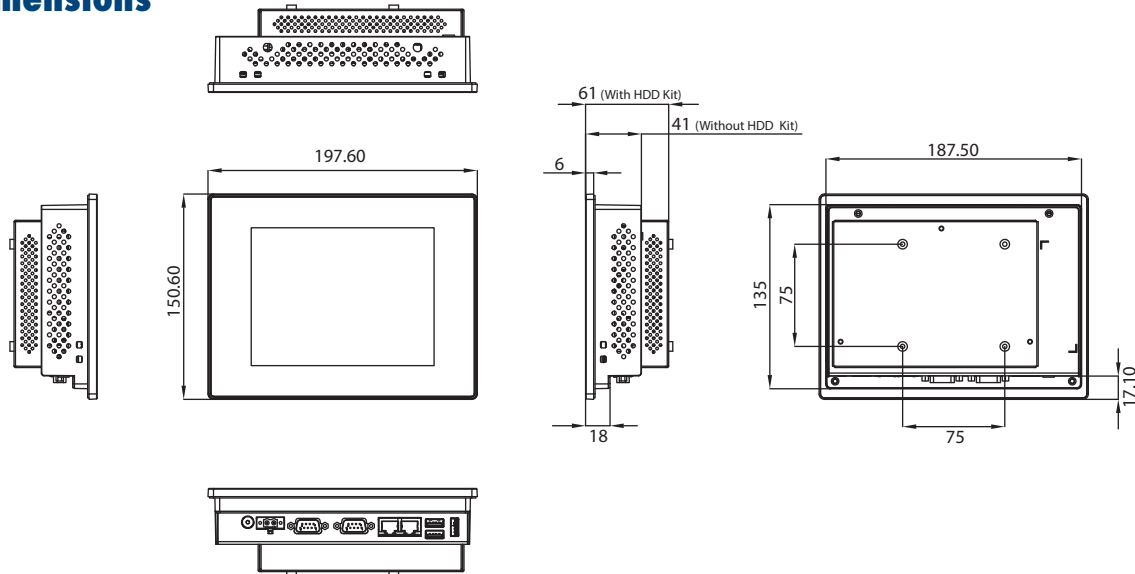
The PPC-3060S is a high-value, ultra-slim panel PC equipped with a 6.5"/7" VGA TFT LCD, and low-power Intel® Celeron® N2807, 1.58 GHz, processor to provide high-performance computing in a compact and fanless system. For high durability and functionality, the PPC-3060S features an IP65-rated front panel, true-flat 5-wire resistive touchscreen, two serial ports, three USB ports, and two GbE LAN ports, making it suitable for diverse industrial applications.

Specifications

		PPC-3060S-N80xx	PPC-3060S-PN80xx
System	CPU	Intel® Celeron® N2807 dual core	
	Frequency	1.58 GHz	
	L2 Cache	1 MB	
	Memory	1 x SODIMM DDR3L 1333 MHz (max. 4 GB)	
	Storage	1 x 2.5" SATA bay (optional); requires a bracket module for installation) 1 x mSATA Bay (default)	
	Network (LAN)	2 x 10/100/1000 Mbps Ethernet (Realtek)	
	I/O	2 x Serial ports: 1 x RS-232, 1x RS-232/422/485 (Adjustable through BIOS) 2 x USB 2.0, 1 x USB 3.0 (for PPC-3060S-N80xx) 1 x USB 2.0, 1 x USB 3.0 (for PPC-3060S-PN80xx)	
	Expansion	1 x Full-size mini PCIe slot	
Watchdog Timer	255 timer levels, set up by software		
Physical Characteristics	Dimensions	197.6 x 150.6 x 41 mm (7.8 x 5.9 x 1.6 in)	
	Weight	1.5 kg (3.30 lb)	
OS Support	OS Support	Microsoft® Windows 7(32/64-bit), Windows 10 IOT LTSC(64-bit), Linux	
Power Consumption	Input Voltage	12 ~ 24 V _{DC}	
	Power Consumption	11 W (Burn-in test 7.0 in Windows 7, 32-bit)	
LCD	Display Type	6.5" TFT LCD (LED backlight)	7" TFT LCD (LED backlight)
	Resolution	640 x 480	1024 x 600
	Viewing Angle	80 (left), 80 (right), 70 (up), 70 (down)	85 (left), 85 (right), 85 (up), 85 (down)
	Luminance (cd/m ²)	800	425
	Contrast Ratio	600	800
	Backlight Lifetime	50,000 hr (typical)	
Touchscreen	Touch Type	ELO 5-wire resistive touch	10-point multi-touch projected capacitive
	Light Transmission	80±5% at 550 nm wavelength	85% at 550 nm wavelength
	Controller	RS232 interface	
	Durability (Touches)	Greater than 35 million touches in one location without failure	
Environment	Operating Temperature	0 ~ 50 °C (32 ~ 122 °F)	
	Storage Temperature	-30 ~ 60 °C (-22 ~ 140 °F)	
	Relative Humidity	95% @ 40 °C (non-condensing)	
	Shock	Operating 10 G peak acceleration (11 ms duration), follow IEC 60068-2-27	
	Vibration	Operating Random Vibration Test 5 ~ 500Hz, 2Grms @with SSD, follow IEC 60068-2-64	
	EMC	CE, FCC Class B, BSMI, UKCA	
	Safety	CB, UL, CCC, UKCA	
	Front Panel Protection	IP65 compliant	

Dimensions

Unit: mm



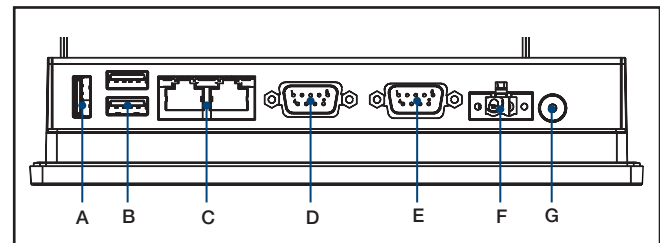
Panel Cutout Dimensions: 189 x 136.5 mm (7.44 x 5.37 in)

Ordering Information

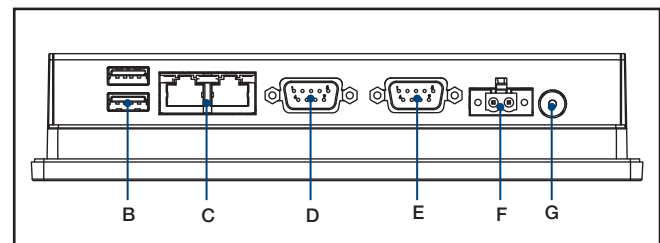
Part Number	Description
PPC-3060S-N80B	6.5" PPC w/Intel N2807, Resistive
PPC-3060S-PN80B	7" PPC w/Intel N2807, P-Cap
98R3P30600E	Bracket module for 2.5" SSD/HDD installation
PPC-WLAN-D1	M.2, WiFi6 +BT5.2, 2T2R, w/Antenna, Mini PCIe adapter
PPC-ARM-A03	ARM VESA Standard for PPC series
PPC-174T-WL-MTE	Wall mount kit for PPC series
PPC-Stand-A1E	Stand for PPC series
96PSA-A90W190T-3	Power adapter 100-240V 90W 19V
1700001524	Power cord 3P UL 10A 125V 1.8M
170203183C	Power cord 3P Europe (WS-010+083) 183cm
1700008921	Power cord 3P/3P 1.8M PSE
96CB-POWER-B-1.8MB	Power code 3P CCC(China) 1.8M
98R3P300010	PPC-300 RFID Read only 13.56MHz&125k

I/O View

PPC-3060S-N80xx



PPC-3060S-PN80xx



- A. USB 2.0
- B. 1 x USB 2.0, 1 x USB 3.0
- C. 2 x RJ45 LAN
- D. RS-232/422/485
- E. RS-232
- F. DC-In
- G. Power Switch