

UTC-310

10.1" Ubiquitous Touch Computer UTC-310G with Intel® Celeron® N3350 / Pentium® N4200



Features

- Low power and fanless system design
- Built-in Intel® Celeron® N3350 / Pentium® N4200 (UTC-310G)
- 10.1" monitor with 16:10 widescreen display
- IP65-rated front panel for water and dust resistance
- Supports both landscape and portrait screen orientations
- VESA 75 mm standard mounting holes for varied mounting demands
- Detachable plastic frame design for panel mount applications
- PoE supported on Celeron® N3350 / Pentium® N4200 platform



Introduction

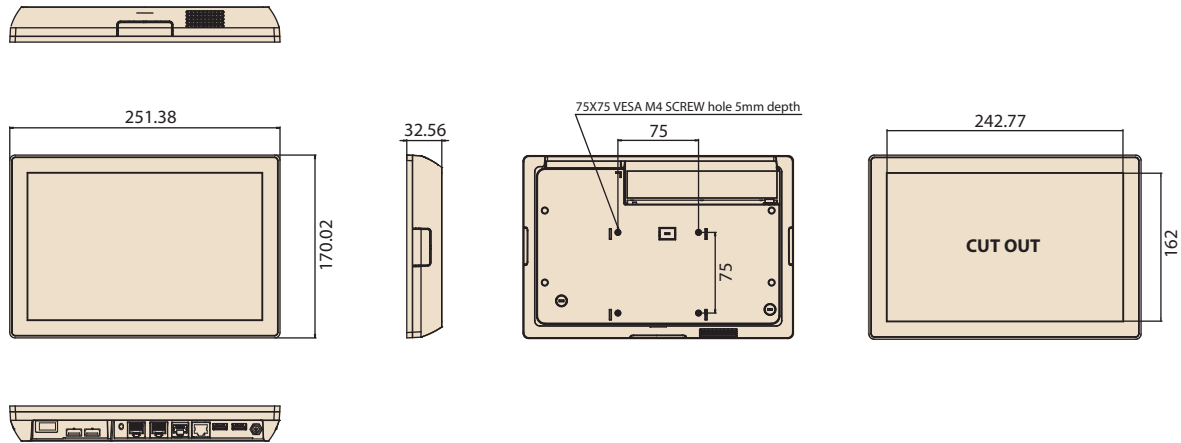
UTC-310 features an all-in-one computing system equipped with wide format, touch based LCD panel. It is easy to integrate key peripherals and display systems for diversified self-service and interactive signage deploy in different application areas. The systems deliver updated information with well-designed interactive interfaces, fully ensure relevant content and targeted promotions are delivered. UTC series touch panel computers are the best investments to enhance user satisfaction, further brand equity, and maximize business profits.

Specifications

| | | | |
|------------------------------|--|--|----------------------------------|
| Processor System | CPU | Intel® Celeron® N3350 (UTC-310G) | Intel® Pentium® N4200 (UTC-310G) |
| | Base Frequency | 1.10 GHz (Dual-Core) | 1.10 GHz (Quad-Core) |
| | Cache | L2 Cache 1MB | L2 Cache 2MB |
| | Memory | 1 x 204 pin SO-DIMM DDR3L 1600 MHz up to 8 GB | |
| | Storage | 1 x M.2 2242 SSD / 1 x 2.5 internal SATA storage bay (2.5" N/A with Internal PoE) | |
| | Network (LAN) | 2 x Gigabit Ethernet ports (Supports Wake on LAN) | |
| | I/O ports | 2 x RS-232 COM (COM2 RS-232/422/485) 2 x USB3.0 / 2 x USB3.0 (optional) 2 x Gigabit Ethernet ports (1 with optional PoE) | |
| | Stereo Speaker | 1 x 2W | |
| | Bus expansion | 1 x M.2 key2230, 1 x M.2 key2242 | |
| | Mounting | VESA 75 x 75 mm (Screw Size, M4, 6mm) | |
| Dimensions (W x H x D) | 251 x 170 x 32.5 mm | | |
| Weight | 1.12kg (2.46lbs) | | |
| OS Support | Win 10 IoT Enterprise 64bit Android6.0/8.1 Linux | | |
| Environmental Specifications | Operating Temperature | 0 ~ 40 °C (32 ~ 104 °F)* | 0 ~ 40 °C (32 ~ 104 °F)* |
| | Relative Humidity | 10 ~ 95% @ 40 °C non-condensing | |
| | Vibration | 0.5G | |
| | Shock | 10G peak acceleration (11 msec. duration) | |
| | Certification | CE, FCC, CB, UL, CCC, BSMI | |
| | Front Panel Protection | IP 65 Compliant | |
| Power Supply | DC Input Rating | 12 V/3 A ~ 24 V/1.5 A, 36W ITE Adapter | |
| | PoE | IEEE 802.3at/30W (Optional, N/A with 2.5" storage) | |
| | Power consumption | Typical 25W Max. 34W | |
| LCD Display | Size/Type | 10.1" TFT LCD with LED backlight | |
| | Max.Resolution | 1280 x 800 | |
| | Max. Color | 16.7M | |
| | Pixel Pitch (um) | 169.5 x 169.5 | |
| | Brightness (cd/m ²) | 350 | |
| View Angle | 170°/ 170° | | |
| Touch Screen Option (PE/GE) | Type | Projected Capacitive. Glass panel (by required) | |
| | Light Transmission | 80% ± 5% / 90% | |
| | Controller | USB Interface | |

Dimensions

Unit: mm



Ordering Information

| Part No. | Description |
|-----------------|---|
| UTC-310GP-ATB0E | 10.1" Pcap, N3350, 2G RAM, Black |
| UTC-310GP-ATB1E | 10.1" Pcap, N4200, 2G RAM, Black |
| UTC-310GP-ATW0E | 10.1" Pcap, N3350, 2G RAM, White |
| UTC-310GP-ATW1E | 10.1" Pcap, N4200, 2G RAM, White |
| UTC-310GP-USB0E | 10.1" Pcap, N3350, 2G RAM, Black (US Only P/N) |
| UTC-310GP-USB1E | 10.1" Pcap, N4200, 2G RAM, Black (US Only P/N) |
| UTC-310GP-USW0E | 10.1" Pcap, N3350, 2G RAM, White (US Only P/N) |
| UTC-310GP-USW1E | 10.1" Pcap, N4200, 2G RAM, White (US Only P/N) |
| 1700001524 | Power Cord 3P UL 10A 125V 180cm |
| 170203180A | Power Cord 3P UK 2.5A/3A 250V 1.83M |
| 170203183C | Power Cord 3P Europe (WS-010+WS-083)183cm |
| 1700019146 | Power Cord CCC 3P 2.5A 250V 183cm |
| 1700025928-02 | COM Port Converter cable RJ48-10P10C to D-SUB 9P 35cm |

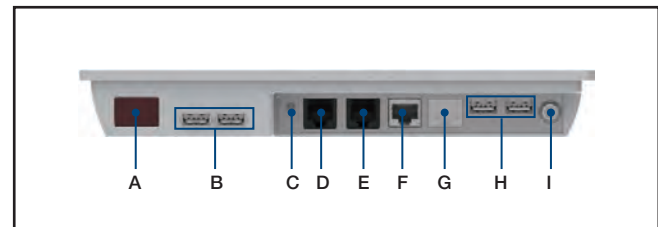
*White Touch Bezel could be customized by customer request with MOQ

Peripherals for UTC-310 series

| Tentative Part No. | Description |
|--------------------|--|
| UTC-300P-C70E | 5M Camera Module, White, for UTC-307/UTC-310 series |
| UTC-300P-C71E | 5M Camera Module, Black, for UTC-307/UTC-310 series |
| UTC-300P-M70E | Magnet Strip Reader, White, for UTC-307/UTC-310 series |
| UTC-300P-M71E | Magnet Strip Reader, Black, for UTC-307/UTC-310 series |
| UTC-300P-R70E | RFID Reader, White, for UTC-307/UTC-310 series |
| UTC-300P-R71E | RFID Reader, Black, for UTC-307/UTC-310 series |
| UTC-300P-B72E | 2D Barcode Reader for UTC-310(Internal) |
| UTC-300P-L70E | LED Light Bar, for UTC-307/UTC-310 series |
| UTC-300P-U72E | USB3.0 x 2, for UTC-310 (Internal) |
| UTC-300P-P72E | PoE Kit for UTC-310 (Only can coexist with M.2 SSD) |
| UTC-300P-W71E | M.2 wifi, 802.11 a/b/g/n/ac, 2T2R, BT4.2, A-E key, for UTC-310 |
| UTC-300P-W71U | M.2 wifi, 802.11 a/b/g/n/ac, 2T2R, BT4.2, A-E key, for UTC-310 (US Only P/N) |

* All peripherals must be ordered together with UTC-310, and assembled by Advantech only

Fully- Integrated I/O



- A. Barcode Reader (Optional)
- B. USB 3.0 x 2 (Optional)
- C. POWER BUTTON
- D. COM W/RS-232
- E. COM W/RS-232/422/485
- F. LAN Port
- G. LAN/PoE Port
- H. USB 3.0 x 2
- I. DC Power Jack

* UTC-310 PoE SKU – A PoE Powered Device (PD) is a device powered by a PSE and thus consumes energy. Please do take a Power sourcing equipment (PSE) which follows IEEE 802.3at PoE standard, also known as PoE+ or PoE plus, provides up to 30W of DC power output. Only 25.5 W input is assured to be available at the powered device as some power dissipates in the cable. The customer can change the configuration only when total power input is under 25.5 W.

Installation Accessory

| Part No. | Description |
|--------------------|---|
| UTC-WALL-MOUNT5E | UTC VESA mount (75x75) |
| UTC-PANEL-MOUNT3E | PANEL Mount Kit (UTC-310) |
| UTC-TABLE-STAND0E | Table Stand, White, For UTC-307/310 |
| UTC-TABLE-STAND1E | Table Stand, Black, For UTC-307/310 |
| ARES-2414X-S150201 | Table Stand, Black, ≤17", max.13kg, 75x75mm |