

UTC-515

15.6" Ubiquitous Touch Computer UTC-515D with Intel® Celeron J1900 UTC-515F with Intel® Core™ i3-6100U



DeviceOn/iService

Features

- Low power and fanless system design
- Built-in Intel® Celeron J1900 (UTC-515D)
- Built-in Intel® Core™ i3-6100U (UTC-515F)
- 15.6" monitor with 16:9 widescreen display
- IP65-rated front panel for water and dust resistance
- All in one aluminum extrusion design
- Supports both landscape and portrait screen orientations
- VESA 100 mm standard mounting holes for varied mounting demands
- Side groove design for flexible peripheral installation
- Support DeviceOn/iService software for remote device management (UTC-515D/F only)



Introduction

UTC-515 features an all-in-one computing system equipped with wide format, touch based LCD panel. It is easy to integrate key peripherals and display systems for diversified self-service and interactive signage deploy in different application areas. The systems deliver updated information with well-designed interactive interfaces, fully ensure relevant content and targeted promotions are delivered. UTC series touch panel computers are the best investments to enhance user satisfaction, further brand equity, and maximize business profits. Moreover, Advantech DeviceOn/iService Software is a next-generation unified device management unified device management solution based on the WISE-DeviceOn platform. With support for batch operations and multi-device control, DeviceOn/iService enables easy device configuration and deployment for convenient remote device management.

Specifications

Model	UTC-515D	UTC-515F	
Processor System	CPU	Intel® Celeron J1900 (UTC-515D)	Intel® Core™ i3-6100U (UTC-515F) Intel® Core™ i5-6300U (Available)* Intel® Core™ i7-6600U (Available)*
	Base Frequency	2 GHz (Quad-Core)	2.3 GHz (i3-6100U/Dual-Core)
	Cache	L2 Cache 2MB	L3 Cache 3MB
	Memory	1 x SO-DIMM DDR3L 1333 MHz up to 8 GB	2 x 204 pin SO-DIMM DDR3L 1600 MHz up to 16GB
	HDD	1 x 2.5 internal SATA HDD bay	
	Network (LAN)	2 x Gigabit Ethernet ports (Supports Wake on LAN)	
	I/O ports	2 x RS-232 COM (RS-422/485)*	2 x RS-232 COM (RS-422/485)*
		3 x USB 2.0 / 1 x USB 3.0	2 x USB 2.0 / 2 x USB 3.0
		2 x Gigabit Ethernet (RJ-45)	2 x Gigabit Ethernet (RJ-45)
		1 x VGA	1 x VGA
		1 x HDMI	1 x HDMI
		Audio Line-out x 1, Mic-in x 1	Audio Line-out x 1, Mic-in x 1
	Stereo Speaker	1 W x 2	
Bus expansion	Full-size MiniPCIe / mSATA		
Mounting	VESA 100 x 100 mm		
Dimensions (W x H x D)	389.81 x 240.12 x 45.20 (mm)		
Weight	4.85 kg (10.67 lb)		
OS Support	Win 10 IoT Enterprise Android 6 Linux Ubuntu 14.04	Win 10 IoT Enterprise Linux Ubuntu 20.04	
Environmental Specifications	Operating Temperature	0 ~ 40° C (32 ~ 104° F)	
	Relative Humidity	10 ~ 95% @ 40° C non-condensing	
	Vibration	0.5G	
	Shock	5G peak acceleration (11 msec. duration)	
	Certification	CE (RED Compliance), EN 61000-6-2: 2005 / AC: 2005, FCC, CB, UL, CCC, BSMI	CE (RED Compliance), EN 61000-6-2: 2005 / AC: 2005, FCC, CB, UL, CCC, BSMI
Front Panel Protection	IP65/ NEMA4 Compliant		
Power Supply	Input Voltage	12V _{oc}	
	Power consumption	Typical 35W Max. 40W	Typical 40W Max. 50W
	Adapter	12V/5A (60W ITP Adapter)	
LCD Display	Size/Type	15.6" TFT LCD with LED backlight	
	Max. Resolution	1366 x 768 (FHD 1920 x 1080 Optional)	
	Max. Color	16.7M	
	Pixel Pitch (um)	252 x 252	
	Brightness (cd/m ²)	400	
View Angle	170°/160°		
Touch Screen Option (PE/RE/GE)	Type	Projected Capacitive. Analog Resistive 5-wires	
	Light Transmission	90% ± 2% / 80% ± 5% / 90%	
	Controller	USB Interface / USB Interface / -	

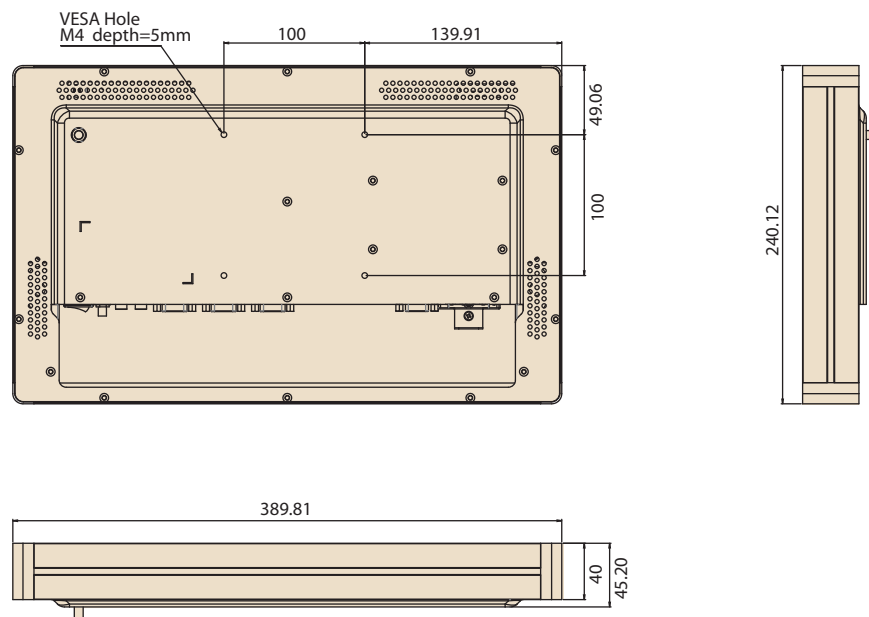
Specifications (Cont.)

DeviceOn/iService Remote Device Management (UTC-515D/F only)	Operating System	Windows 10
	Common Controls (Reboot, Shutdown)	✓
	Remote desktop	✓ (VNC)
	Audio Controls	✓*
	Connection Status	✓
	Hardware Status	✓*
	Hard Disk Status	✓*
	Batch Operation Support	✓
	OTA Storage Management	FTP
	OTA Software Updates	✓
	Software Watchlist	✓
	*Dependant on device model	Software Start/Stop

Note: DeviceOn/iService software must be downloaded from the Advantech website at <https://www.advantech.com/search/?q=DeviceOn%2FiService&st=support&sst=Utility>

Dimensions

Unit: mm



Ordering Information

Part No.	Description
UTC-515D-PE	15.6" 9H PCT.T/S with Intel Celeron J1900, 4GB RAM, IT Adapter
UTC-515DP-ATB0E	15.6" 7H PCT.T/S with Intel Celeron J1900, 4GB RAM, IT Adapter
UTC-515D-RE	15.6" Resi.T/S with Intel Celeron J1900, 4GB RAM, IT Adapter
UTC-515F-PE	15.6" 9H PCT.T/S with Intel Core i3-6100U, 4GB RAM, IT Adapter
UTC-515FP-ATB0E	15.6" 7H PCT.T/S with Intel Core i3-6100U, 4GB RAM, IT Adapter
UTC-515FR-ATB0E	15.6" Resi.T/S with Intel Core i3-6100U, 4GB RAM, IT Adapter
1702002605	Power cord 2P FRANCE 10A/16A 220V 1.83M 90D
1702002600	Power Cord 3P UL/CSA(USA) 125V 10A 1.83M 180D
1700000596	Power Cord (China) CCC,10A 250V, 3P 1830mm
1700018704	Power Cord UK BSI 2P 10A 250V 180cm 18AWG
1960060674N001	IO Cover for UTC-515 series

Peripherals for UTC-500 series

Part No.	Description
UTC-P01-A1E	5M Camera Module For UTC-5XX (USB connection)
UTC-P02-A0E	Magnet Strip Reader For UTC-5XX (USB connection)
UTC-P03-A1E	RFID Reader For UTC-5XX (USB connection)
UTC-P06-A2E	Smart Card Reader For UTC-5XX (USB connection)
UTC-P07-A4E	2D Barcode Module (Honeywell) for UTC-500 Series (USB connection)
UTC-P09-A0E	Fingerprint reader for UTC-5xx (USB connection)
UTC-P21-A3E	2D Barcode reader + RFID + SCR

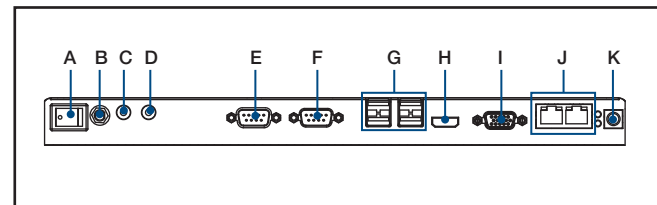
Installation Accessory

Part No.	Description
96PD-00824	UTK-700 Desktop Stand (w/o Printer)
96PD-00825	UTK-700 Extension Tower (For 96PD-00824 only)
UTC-520-STAND1E	Desktop stand for UTC-515/520
UTC-T01-STAND	Triangle shape floor stand
UTC-H01-STANDE	H-shaped floor stand
ARES-2424X-S170201	Table Stand,100x100/75x75
ARES-12250-L101000	Wall Mount, 75/100mm

UTC-515 WiFi Ordering Information

Part No.	Description
UTC-WIFI-A0E	EWM-W135H01E, 802.11 a/b/g/n,AR9382,2T2R, HMC
UTC-WIFI-A1E	EWM-W168H01E, 802.11ac/a/b/g/n, 2T2R, BT4.2, HMC
UTC-WIFI-A2E	EWM-W189H02E, 802.11ac/a/b/g/n, 2T2R, BT4.2, HMC
UTC-WIFI-A3E	EWM-W193H01E, 802.11ac/a/b/g/n, 2T2R, BT5.0, HMC

Fully- Integrated I/O



- A. Power switch
- B. Antenna Port
- C. Line-out
- D. Mic-in
- E. COM2
- F. COM1
- G. USB 3.0 x 2, USB 2.0 x 2 (UTC-515E/F)
USB 3.0 x 1, USB 2.0 x 3 (UTC-515D)
- H. HDMI
- I. VGA
- J. LAN Ports x 2
- K. DC Input

DeviceOn/iService

Unified Remote Device Management Software



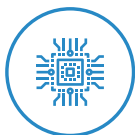
Features

- Supports Advantech devices equipped with Windows, Android, and Linux OS
- Flexible device, location, user, and permissions management
- Enables remote monitoring and control of hardware, software, and peripherals
- Supports over-the-air (OTA) firmware and software updates
- Ensures quick, easy, and secure device onboarding
- RESTful APIs for third-party system integration

Introduction

Advantech's DeviceOn/iService is a next-generation unified device management solution based on the WISE-DeviceOn platform. Designed to enable centralized monitoring and remote management, DeviceOn/iService supports Advantech devices equipped with Windows, Linux, or Android operating systems. The software also supports the management of applications and integrated peripherals, such as a barcode scanner, card reader, camera, and printer. Users can remotely access and control connected devices, take screenshots, rollout OTA upgrades, and use remote desktop capabilities for troubleshooting from any location at any time. Moreover, DeviceOn/iService supports batch operations to facilitate the management of multiple devices simultaneously for easy and convenient device configuration and deployment.

Total Management



Devices & Hardware

- Windows, Linux, Android
- Hardware, storage, battery



Software & Peripherals

- Software monitoring & access
- Screens, USB devices, printers



Open for Expansion

- Peripheral integration
- Open APIs for integration

Remote Access



Real-Time Monitoring

- Connection/hardware status
- Software/peripheral status
- Failure notifications



Remote Controls

- Power controls
- Audio, backlight controls
- Software controls



Troubleshooting

- Screenshots
- Remote desktop support

Operational Efficiency



OTA updates

- System/software updates
- File repository management
- App store



Batch Controls

- 1-to-many batch reboot, etc.
- Time-saving tasks



Setup Booster

- Software/peripheral watchlist
- Roles, rule templates

Note: Some functions may vary according to the product

System Architecture

