

UTC-515

15.6" Ubiquitous Touch Computer UTC-515H with Intel® Core™ i3-8145UE

NEW



DeviceOn/iService

Features

- Low power and fanless system design
- Built-in Intel® Core™ i3-8145UE (UTC-515H)
- 15.6" monitor with 16:9 widescreen display
- IP65-rated front panel for water and dust resistance
- All in one aluminum extrusion design
- Supports both landscape and portrait screen orientations
- VESA 100 mm standard mounting holes for varied mounting demands
- Side groove design for flexible peripheral installation
- Watchdog timer: Single chip Watchdog 255-level interval timer, setup by software
- Customized Anti-Glare surface touch is available
- Optional Full HD (1920 x 1080) LCD panel
- Equipped with DeviceOn/iServices software for remote device management



Introduction

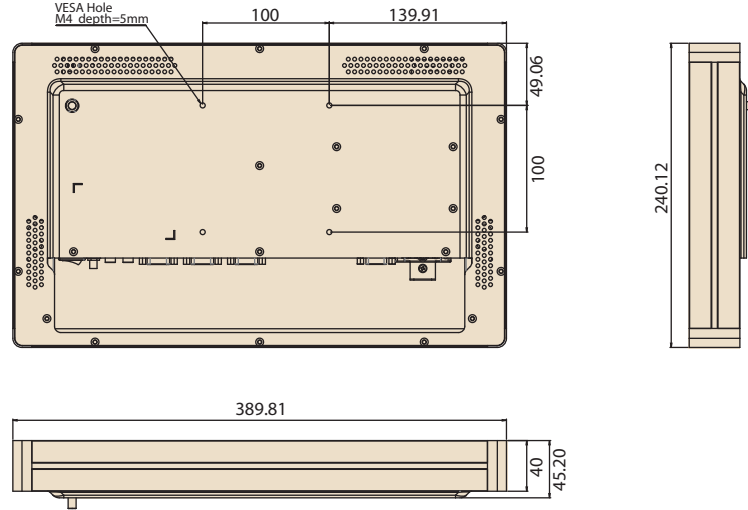
UTC-515 features an all-in-one computing system equipped with wide format, touch based LCD panel. It is easy to integrate key peripherals and display systems for diversified self-service and interactive signage deploy in different application areas. The systems deliver updated information with well-designed interactive interfaces, fully ensure relevant content and targeted promotions are delivered. UTC series touch panel computers are the best investments to enhance user satisfaction, further brand equity, and maximize business profits. Advantech's DeviceOn/iService is a next-generation unified device management solution based on the WISE-DeviceOn platform.

Specifications

Processor System	CPU	Intel® Core™ i3-8145UE (UTC-515H) Intel® Core™ i5-8365UE (Optional)* Intel® Core™ i7-8665UE (Optional)*	
	Base Frequency	1.60 GHz (Quad-core)	
	LLC	6MB	
	Memory	Dual Channel / Dual Socket DDR4 2400 up to 32 GB	
	HDD	1 x 2.5 internal SATA HDD bay	
	Network (LAN)	2 x Gigabit Ethernet ports (Supports Wake on LAN)	
	I/O ports		2 x RS-232 COM (RS-422/485)* 4 x USB 3.1
			2 x Gigabit Ethernet (RJ-45) 1 x HDMI
			Audio Line-out x 1, Mic-in x1
	Stereo Speaker	1 W x 2	
	Bus expansion	1 x M.2 E-key 2230 1 x M.2 B-key 2280 (NVMe PCIe x2), 3042 LTE module (support USB2.0 only), optional M-key 2280 NVMe PCIe x4	
	Mounting	VESA 100 x 100 mm	
Dimensions (W x H x D)	389.81 x 240.12 x 45.20 (mm)		
Weight	4.85 kg (10.67 lb)		
Board Feature	Watchdog Timer	65536 level, 0~65535 sec	
	TPM	TPM2.0 (SLB9670XQ2.0)	
OS Support		Win 10 IoT Enterprise	
Environmental Specifications	Operating Temperature	0 ~ 40° C (32 ~ 104° F)	
	Relative Humidity	10 ~ 95% @ 40° C non-condensing	
	Vibration	0.5G	
	Shock	5G peak acceleration (11 msec. duration)	
	EMC/ Safety	CE (No RED certification), EN 61000-6-2: 2005 / AC: 2005, FCC, UL, CB, CCC, BSMI	
	Front Panel Protection	IP65/ NEMA4 Compliant	
Power Supply	Input Rating	12~24V/7A (84W ITE Adapter)	
	Power consumption	Typical 40W Max. 50W	
LCD Display	Size/Type	15.6" TFT LCD with LED backlight	
	Max. Resolution	1366 x 768 (FHD 1920 x 1080 Optional)	
	Max. Color	16.7M	
	Pixel Pitch (um)	252 (H) x 252 (V)	
	Brightness (cd/m ²)	400 nits	
	View Angle	178°/178°	
Touch Screen Option (PE/RE/GE)	Type	Projected Capacitive. Anti-Glare Available	
	Light Transmission	90% ± 2% / 80% ± 5% / 90%	
	Controller	USB Interface	

Dimensions

Unit: mm



Ordering Information

Part No.	Description
UTC-515HP-ATB0E	15.6" Intel® Core™ i3-8145UE Based fanless UTC with 7H PCT.T/S. 4 GB RAM
UTC-515H-PE	15.6" Intel® Core™ i3-8145UE Based fanless UTC with 9H PCT.T/S. 4 GB RAM
UTC-515HR-ATB0E	15.6" Intel® Core™ i3-8145UE Based fanless UTC with Res.T/S. 4 GB RAM
1702002600	Power Cord 3P UL/CSA(USA) 125V 10A 1.83M 180D
1700000596	Power Cord (China) CCC,10A 250V, 3P 1830mm
1700018704	Power Cord UK BSI 2P 10A 250V 180cm 18AWG
1960060674N001	IO Cover for UTC-515 series

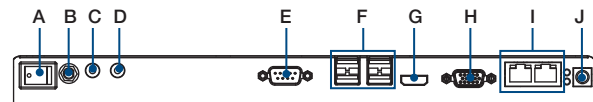
Peripherals for UTC-500 series

Part No.	Description
UTC-P01-A1E	5M Camera Module For UTC-5XX (USB connection)
UTC-P02-A0E	Magnet Strip Reader For UTC-5XX (USB connection)
UTC-P03-A1E	RFID / NFC Reader For UTC-5XX (USB connection)
UTC-P06-A2E	Smart Card Reader For UTC-5XX (USB connection)
UTC-P07-A4E	2D Barcode Module (Honeywell) for UTC-500 Series (USB connection)
UTC-P09-A0E	Fingerprint reader for UTC-5xx (USB connection)
UTC-P21-A2E	4 in 1 Modules Barcode reader + RFID + Card reader + MSR

Installation Accessory

Part No.	Description
96PD-00824	UTK-700 Desktop Stand (w/o Printer)
96PD-00825	UTK-700 Extension Tower (For 96PD-00824 only)
UTC-520-STAND1E	Desktop stand for UTC-515/520
UTC-H01-STANDE	H-shaped floor stand
ASK-TBSD-BS1702A01	Desk Stand for 100 X 100 / 75 X 75 mm
UTC-T01-STANDE	Triangle shape floor stand
UTC-WALL-MOUNT1E	Wall Mount kit for UTC-515/520
UTC-WALL-MOUNT3E	Wall Mount kit for UTC-515/520

Fully- Integrated I/O



- A. Power switch
- B. Antenna Port
- C. Line-out
- D. Mic-in
- E. COM2
- F. USB 3.1 x 4
- G. HDMI
- H. COM1
- I. LAN Ports x 2
- J. DC Input

Side groove design for Flexible peripheral device



Touch Panel
(Anti-Glare
Coating
Available)

400 Nits Panel Outer Frame Main Frame Back Cover

