

M101EK

10.1" Windows Rugged Tablet PC with Intel® Celeron® N6210



KEY FEATURES

- Intel® Elkhart Lake Celeron® N6210 Processor
- 10.1" 1920 x 1200 IPS LED Panel with direct optical bonding
- IP65 water and dust proof with MIL-STD-810H rugged housing
- Low power consumption with fanless design
- Removable battery with hot-swap function for all day productivity
- Sunlight readable with antiglare solution
- USB Type-C port supports power delivery 20V In
- Integrated 4G/5G Wireless WWAN (Optional)



SPECIFICATIONS

Display			
Resolution	1920x1200	Size	10.1 inches
Contrast Ratio	800:1	Panel Brightness	800 nits
View Angles	85,85,85,85	Bonding	Optical Bonding for Sunlight Viewability
Type	Projected Capacitive Multi Touch	Viewability	Anti-Glare touch treatment
Touch Mode	Support Hand / Gloves and Rain Mode		
System Specification			
Processor	Intel Celeron N6210 1.2 GHz (turbo boost up to 2.60 GHz) Intel Pentium N6415 1.2 GHz (turbo boost up to 3.00 GHz) (Optional)	Memory	4GB LPDDR4 8GB LPDDR4 (Optional)
Storage	128GB SSD Additional storage available with micro SDXC card slot 256GB SSD (Optional) 512GB SSD (Optional)	Security	Trusted Platform Module (TPM) 2.0 Kensington Lock
Operating System	Windows 10 IoT Enterprise LTSC (64 bit) Windows 11 IoT Enterprise SAC (64-bit) (Optional)	WLAN	Support
BT	Support	WWAN	4G (Optional) 5G (Optional)
GNSS	GPS, GLONASS, Galileo, BeiDou	RFID	HF RFID 13.56 MHz reader (Optional) add-on UHF RFID Reader (Optional)
Sensors	Light sensor/ G-sensor / Gyro	Smart Card Reader	Add-on Smart Card Reader (Optional)
Camera			
Front Camera	2MP Front Camera	Rear Camera	8MP Rear Camera with auto-focus and LED light
Mechanical			
Dimension	271.9 x 197.3 x 19.5 mm	Weight	1.2 kg (2.65 lbs) with standard battery, 1.4 kg (3.1 lbs) with optional high capacity battery
Enclosure	Fanless design		
IO Ports			
USB Port	1 x USB 3.0 (Type A), 1 x USB 3.0 (Type-C support Power Delivery 20V In)	SD Card Slot	1 x Micro SD Card slot (Support SDXC)
SIM Card Slot	1 x SIM card slot	Video	1 x Micro HDMI Output (Optional)

Audio	1 x Audio combo 3.5mm audio combo jack (Mic in or Line Out) Dual Digital Mic With Noise Cancellation Dual Speaker	Expansion Port	1 x Expansion connector (Optional)
Indicator	4x LED Indicator for Power, Battery, HDD, RF status	Docking Connector	1 x 19-pin docking connector

Environment			
Operating Humidity	10% to 90% RH, non-condensing	Operating Temperature	-20°C to 60°C (AC mode), -10°C to 50°C (Battery mode)
Storage Temperature	-30°C to 70°C (-22°F to 158°F)	Shock	MIL-STD-810H Method 516.8 Procedure I
Vibration	MIL-STD-810H Method 514.8 Procedure I	IP rating	IP65, Compliance IEC60592
Drop	MIL-STD-810H Method 516.8, 4 ft		

Certification	CE, FCC
----------------------	---------

Control	
Button	1 x Power, 1 x Home, 2 x Volume, 2 x Programmable Function Keys

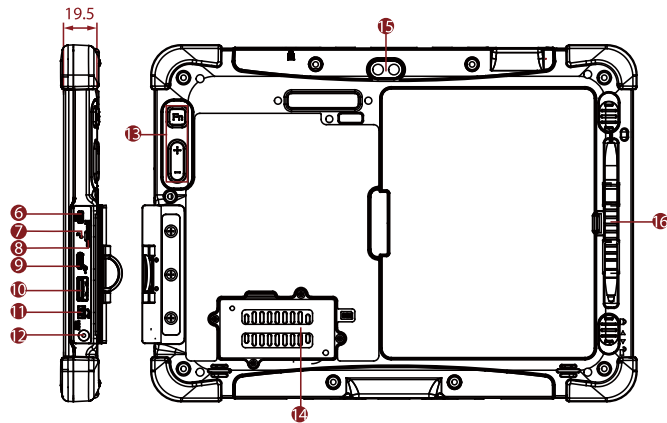
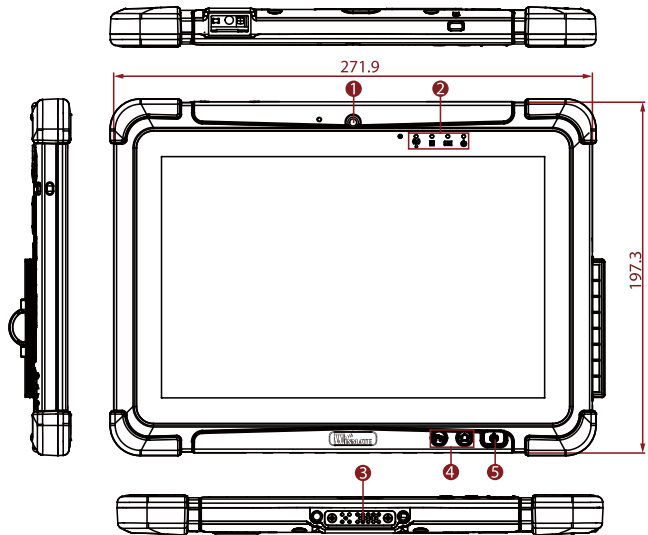
Power			
Battery	7.7V, typ. 5900 mAh Li-Polymer Battery (2S1P) 7.4V, typ. 10280 mAh Li-Polymer Battery (2S2P) (Optional) Hot swappable function (Optional)	Battery Operating Time	Standard. Battery: 9 hours High Capacity Battery: 16 hours
Power Rating	19V DC	Adapter	100-240V, 50-60Hz / 19V DC

Security Function			
SOTI MobiControl	SOTI MobiControl Compliance	Kensington Lock	Kensington Lock

Accessory			
Accessory	Adapter and Power Cord Capacitive Stylus Standard Battery	Optional Accessory	Desk Dock (Optional) Vehicle Dock (without VGA output) (Optional) Vehicle Cradle (Optional) Battery Charger (Optional) Smart Card Reader (Optional) High Capacity Battery (Optional) Hand Strap (Optional) VESA Mount Kit (Optional) Shoulder Strap (Optional) Carry Bag (Optional) Vehicle Charger (Optional)

Barcode Scanner	
Barcode Scanner	1D/2D Barcode Reader (Optional)

DIMENSIONS UNIT:MM



- | | | |
|---------------------|----------------------|----------------------------|
| ① Camera | ⑦ Reset Button | ⑬ Function Button |
| ② LED Indicator | ⑧ Micro SD Card Slot | ⑭ LTE Module/SIM Card Slot |
| ③ Docking Connector | ⑨ USB Type-C | ⑮ Camera |
| ④ Function Button | ⑩ USB Type-A | ⑯ Touch Pen Slot |
| ⑤ Power Switch | ⑪ Audio | |
| ⑥ Micro HDMI | ⑫ Power Input | |