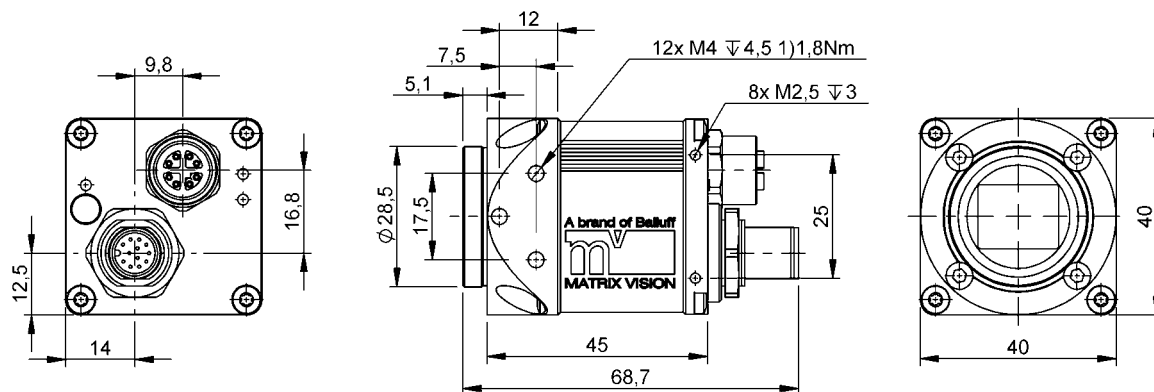


Machine Vision  
**BVS CA-GX0-0016ZC-111C41-XAS2**  
 Order Code: BVS003C



1) Tightening torque



**Basic features**

<b>Approval/Conformity</b>	CE cULus EAC WEEE
<b>Chroma</b>	Color
<b>Frame rate</b>	max. 75 fps
<b>Image resolution</b>	1.6 MP (1456 x 1088 pixels)
<b>Pixel size</b>	3.45 x 3.45 µm
<b>Sensor chip</b>	Sony IMX273
<b>Sensor type Vision</b>	1/2.9" global shutter CMOS
<b>Standards</b>	IEEE 802.3af EMVA 1288 GigE Vision GenICam
<b>Version</b>	GigE Vision industrial camera

**Electrical connection**

<b>Connection 1</b>	GigE-Bus: M12x1-Female, 8-pin, X-coded
<b>Connection 2</b>	Power / IO: M12x1-Male, 12-pin, A-coded
<b>Polarity reversal protected</b>	yes
<b>Short-circuit protection</b>	yes

**Electrical data**

<b>Current draw max.</b>	500 mA
<b>Operating voltage Ub</b>	11...25 VDC PoE

**Environmental conditions**

<b>Ambient temperature</b>	0...45 °C
<b>EN 60068-2-27, Shock</b>	100 G, half-sine, 1000 pos., 1000 neg., X, Y, Z
<b>EN 60068-2-6, Vibration</b>	15 G, 10 - 500 Hz, 5h X, Y, Z
<b>IP rating</b>	IP67
<b>Relative humidity</b>	20...80%
<b>Storage temperature</b>	-20...60 °C

**Functional Characteristics**

<b>Binning</b>	1x1, 2x2, 4x4, 8x8, 16x16
<b>Data storage</b>	64 MB
<b>Decimation</b>	1x1, 2x2, 4x4, 8x8, 16x16
<b>Exposure time</b>	10 µs...20 s
<b>Filter</b>	IR cut filter
<b>Image formats</b>	BayerRG8 BayerRG10 BayerRG12 BayerRG16 BayerRG12Packed BayerRG12p
<b>MTTF (40 °C)</b>	11.7 a
<b>Trigger mode</b>	Free run Hardware trigger Software trigger

Machine Vision  
**BVS CA-GX0-0016ZC-111C41-XAS2**  
**Order Code: BVS003C**



**Material**

<b>Housing material</b>	Aluminum, Powder coated, Painted
<b>Housing material, surface protection</b>	Powder coated Painted

**Mechanical data**

<b>Dimension</b>	40 x 40 x 68.7 mm
<b>Lens mount</b>	C-Mount
<b>Weight</b>	140 g

**Output/Interface**

<b>Digital inputs</b>	4x PNP galvanically isolated
<b>Digital outputs</b>	4x PNP galvanically isolated
<b>Interface</b>	Gigabit Ethernet, POE

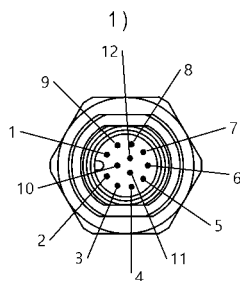
**Remarks**

Not included in the scope of delivery: camera lens, filter, light, connection cable – see [www.balluff.com](http://www.balluff.com)

For more information about MTTF and B10d see MTTF / B10d Certificate

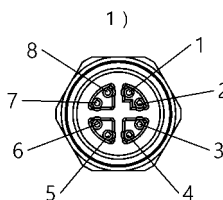
Indication of the MTTF- / B10d value does not represent a binding composition and/or life expectancy assurance; these are simply experiential values with no warranty implications. These declared values also do not extend the expiration period for defect claims or affect it in any way.

**Connector Drawings**



1) View towards connector  
 2) Male 12-pin/ Function

- 2) Power-I/O
- 1 — PWR\_IN
  - 2 — GND
  - 3 — DigOut3
  - 4 — Opto DigIn0
  - 5 — DigOut2
  - 6 — DigOut0
  - 7 — Opto DigIn\_GND
  - 8 — Opto DigIn2
  - 9 — Opto DigIn3
  - 10 — DigOut\_PWR\_IN
  - 11 — Opto DigIn1
  - 12 — DigOut1



1) View towards connector  
 2) Socket 8-pin/ Function

- 2) GigE LAN
- 1 — BI\_DA+
  - 2 — BI\_DA-
  - 3 — BI\_DB+
  - 4 — BI\_DB-
  - 5 — BI\_DD+
  - 6 — BI\_DD-
  - 7 — BI\_DC-
  - 8 — BI\_DC+