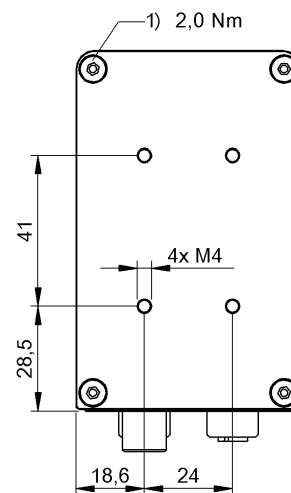
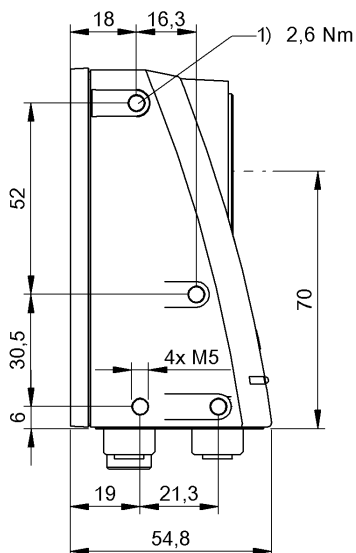
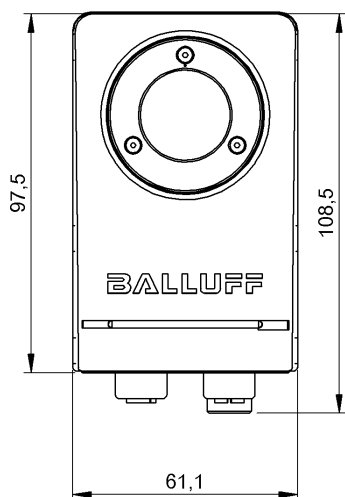
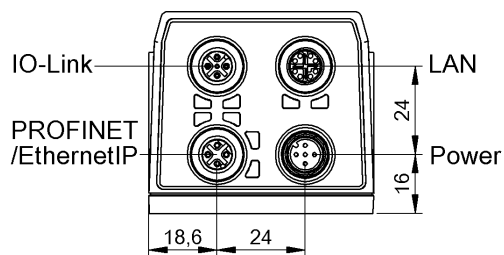


Machine Vision
BVS SC-C1280Z00-30-000
 Order Code: BVS002F

BALLUFF



1) Tightening torque



Basic features

Application	Object tracking code+text analysis Object verification
Approval/Conformity	CE cULus WEEE EAC
Frame rate	max. 60 fps
Image resolution	1280 x 1024 pixels
Pixel size	5.3 x 5.3 µm
Sensor type Vision	CMOS 1/1,8" color global shutter
Version	SmartCamera for standard applications

Electrical data

No-load current I_o max. at U_e	300 mA
Operating voltage U_b	19.2...28.8 VDC
Output current max.	1.2 A

Environmental conditions

Ambient temperature	0...55 °C
EN 60068-2-27, Shock	yes
EN 60068-2-6, Vibration	yes
IP rating	IP67, with protective tube
Storage temperature	-25...70 °C

Electrical connection

Polarity reversal protected	yes
Short-circuit protection	yes

Machine Vision
BVS SC-C1280Z00-30-000
Order Code: BVS002F



Functional Characteristics

2D codes	Aztec Code Data Matrix ECC 200 GS1 Aztec Code GS1 Data Matrix GS1 QR Code Micro QR Code PDF 417 QR code
Barcodes	GS1 Databar, GS1-128, UPC-A, UPC-E, EAN-8, EAN-13, 2/5 Industrial, 2/5 Interleaved, Codabar, Code 128, Code 39, Code 93, MSI, UPC-A, UPC-E
Data storage	4 GB NAND Flash, 1 GB SDRAM
MTTF (40 °C)	56 a

Material

Housing material	Aluminum, Painted
Housing material, surface protection	Painted

Mechanical data

Dimension	62 x 55 x 110 mm
Lens mount	C-Mount
Mounting	Screw M4
Weight	360 g

Output/Interface

Interface	LAN (Gigabit Ethernet) Profinet / EtherNet/IP IO-Link
Switching output	2x IO configurable

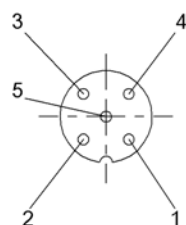
Remarks

Not included in scope of delivery: Protective tube, camera lens, filter, light, connection cable
 see www.balluff.com

For more information about MTTF and B10d see MTTF / B10d Certificate

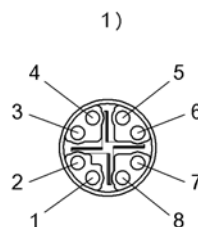
Indication of the MTTF- / B10d value does not represent a binding composition and/or life expectancy assurance; these are simply experiential values with no warranty implications. These declared values also do not extend the expiration period for defect claims or affect it in any way.

Connector Drawings



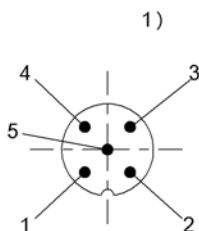
- 1) 2)
IO-Link
 1 — L+
 2 — I/Q / I/O 6
 3 — L-
 4 — C/Q / I/O 7
 5 — n.c.

- 1) View towards connector
 2) Female 5-pin/ Function



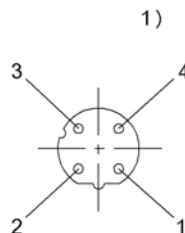
- 2)
LAN
 1 — BI__DA+
 2 — BI__DA-
 3 — BI__DB+
 4 — BI__DB-
 5 — BI__DD+
 6 — BI__DD-
 7 — BI__DC-
 8 — BI__DC+

- 1) View towards connector
 2) Socket 8-pin/ Function



- 2)
Power
 1 — +24V DC
 2 — I/O 0
 3 — GND
 4 — I/O 1
 5 — n.c.

- 1) View towards connector
 2) Male 5-pin/ Function



- 2)
**PROFINET
 /EthernetIP**
 1 — +TX
 2 — +RX
 3 — -TX
 4 — -RX

- 1) View towards connector
 2) Female 4-pin/ Function