

POC-W213 IP54

21.5" Widescreen Point-of-Care Terminal with Fanless and Slim Design



Features

- Runs on Intel® 6th generation, Skylake processor with a fanless, high performance profile
- Ultra-thin display, only 65 mm slim at its widest point
- Capable of displaying crystal clear images on its 21.5" wide-screen display
- Isolated design provides unique electric leakage protection for COM ports and LAN ports
- IP54 water resistant enclosure with additional IP65 dust-tight front panel
- IEC 60601-1 Ed 3.1 certified ensures highest levels of safety and reliability
- Optional Bluetooth, RFID, inner WLAN, Li-ion battery pack, IEEE 1394
- Support Intel® firmware trusted platform module (TPM) with Intel® Platform Trust Technology (Intel® PTT)
- Equipped with DeviceOn/iService software for remote device management



Introduction

POC-W213 is equipped with an integrated SSD that facilitates real-time data processing and storage. Compliant with IEC 60601-1 medical safety standards for electrical devices, POC-W213 terminals are built for reliable operation in a wide range of healthcare environments.

Moreover, POC-W213 is equipped with Advantech's DeviceOn/iService software, which is a next-generation unified device management solution based on the WISE-DeviceOn platform. With support for batch operations and multi-device control, DeviceOn/iService enables easy device configuration and deployment for convenient remote device management.

Specifications

Computing System	CPU*	Intel® Core™ i7-6600U Processor (4M Cache, up to 3.40 GHz) Intel® Core™ i5-6300U Processor (3M Cache, up to 3.00 GHz) Intel® Core™ i3-6100U Processor (3M Cache, 2.30 GHz) Intel® Celeron® Processor 3955U (2M Cache, 2.00 GHz)
	Memory	DDR4 1866/2133 SODIMM (up to 32GB)
	Graphics Controller	Intel HD Graphics 520/510
	G-sensor	2g/±4g/±8g/±16g, 6D/4D orientation detection
	Operating System (Optional)	Windows 7/Windows 8.1 Industry Pro/Windows 10 IoT
Display	Display Size	21.5" wide TFT color LCD (16:9)
	Type	IPS
	Max. Resolution	1920 x 1080 (H x V)
	Max. Colors	16.7 M colors (6-bits+A-FRC)
	Pixel Pitch (um)	247.5 x 247.5
	Viewing Angle	178/178°
	Luminance	250 cd/m ²
	Backlight	LED
Expansion Slot	Mini PCIe (mSATA)	2 (1 x full-size, 1 half-size)
	PCIe	1 x PCIe (x4) (Max. card length: 167.65mm) (Supports Gen 1/2/3)
I/O Ports	Serial Ports	2 x RS-232/422/485 (1.5KV isolated) serial port
	USB 3.0 ports	2 x USB 3.0 ports (rear)
	USB 2.0 Ports	4 x USB 2.0 ports (rear & PCIe (x4) slot)
	Audio	2 x speakers (2 W)
	HDMI	1 x HDMI out, support resolution up to 4096 x 2304 @ 24Hz
	Displayport	1 x Displayport out, support resolution up to 4096 x 2304 @ 60Hz
Storage	LAN	2 x Gigabit Ethernet (1.5KV isolated) interfaces (RJ-45)
	SSD (Default)	128GB SSD
Power Supply	HDD/mSATA (Optional)	2.5" SATA HDD instead of SSD*, Mini PCIe mSATA
	DC Model	AC/DC adapter (Sinpro Model no.HPU101-107)
	Input Voltage	90 ~ 260 V _{AC} , 1.35 ~ 0.5 A, 47 ~ 63 Hz
Optional Functions	Output Voltage	+18 V _{DC} , 5.55 A max. (100 watts)
	Battery	3S1P 1750mAH, supports 0.5hr backup operation (Adding the battery will shorten available PCIe x4 slot space inserted)
	WLAN & Bluetooth	Qualcomm Atheros Dual-band (2.4/5GHz) 802.11 a/b/g/n/ac 2Tx/2Rx WiFi & Bluetooth v4.1
	RFID*	13.56MHz, ISO-15693, ISO-14443A, ISO-14443B

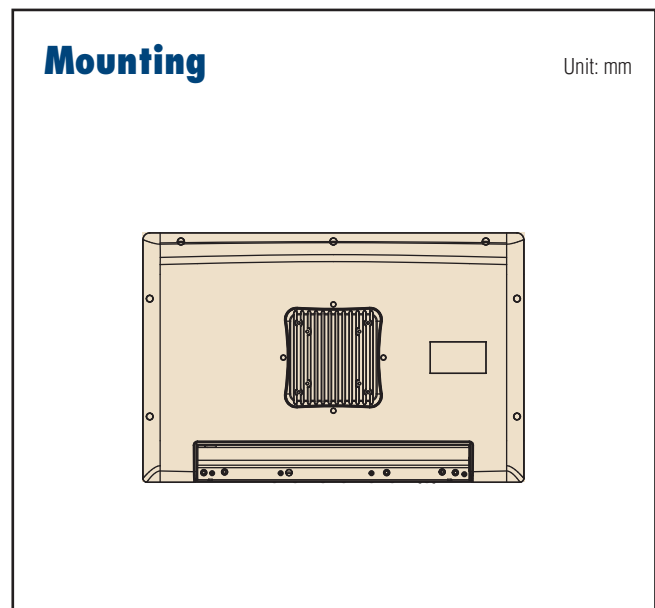
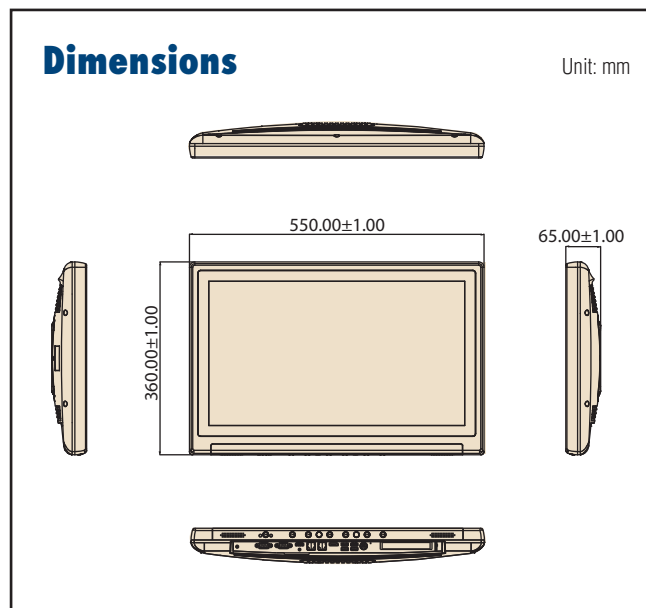
POC-W213 IP54

Optional Touchscreen	Type	Analog Resistive (Clear & AG)	Projected Capacitive 10-points (AR)
	Resolution	Continuous	Continuous
	Light Transmission	80±3%	90±3%
	Controller	USB interface	USB interface
	Durability	35 million touches	Over 50 million touches
IP Rating	Front Panel	IP65	
	Entire System	IP54	
Certifications	UL60601-1/EN60601-1 Edition 3.1, CE & FCC Edition 4.0 Class B, and CCC certified		
Environment	Temperature	0 ~ 40° C (32 ~ 104° F) (Operating) -20 ~ 60° C (-4~140° F) (Storage)	
	Humidity	10 ~ 90% @ 40° C (Non-condensing) (Operating) 5% ~ 90% @40° C (Non-condensing) (Storage)	
	Shock Resistance	20 G peak acceleration (11 ms duration)	
Physical Characteristics	Dimensions (W x D x H)	550 x 360 x 65 mm (21.65" x 14.17" x 2.56")	
	Weight	6.9 kg (15.2 lb)	
	VESA Mount	100 x 100, 75 x 75	
DeviceOn/iService Remote Device Management	Operating System	Windows 10	
	Common Controls (Reboot, Shutdown)	✓	
	Remote desktop	✓(VNC)	
	Device-Specific Controls (Audio, Backlight)	✓○	
	Connection Status	✓	
	Hardware Status	✓○	
	Hard Disk Status	✓○	
	Batch Operation Support	✓	
	OTA Storage Management	FTP	
	OTA Software Updates	✓	
	Software Watchlist	✓	
	Software Start/Stop	✓○	
Peripherals Watchlist	✓○		

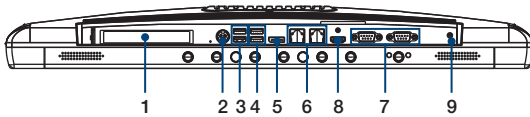
○ Dependant on model

Note:

- 1.* = Customized solution contact Advantech sales team for more information
2. DeviceOn/iService software must be downloaded from the Advantech website at <https://www.advantech.com/search/?q=DeviceOn%2FiService&st=support&st=Utility>



Rear I/O Ports



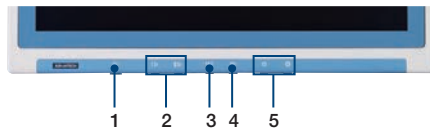
- (1) PCIe(x4) card slot
- (2) DC-IN
- (3) 2 x USB 2.0 ports
- (4) 2 x USB 3.0 ports
- (5) Displayport
- (6) 2 x Gigabit Ethernet interfaces (RJ-45)
- (7) 2 x RS-232/422/485(isolated) serial port
- (8) HDMI port out
- (9) Equipotential terminal pin

Back Side



Water/Dust resistance IP54 for whole system

Function Keys



- (1) Power
- (2) Volume Up/Down
- (3) Touchscreen Status Control
- (4) Read Light Control
- (5) Brightness Increase/Decrease

Ordering Information

Part Number	CPU	DRAM	Touch Panel	SSD
POC-W213-A11D-ACE	Core i7-6600U 2.6G	4GB	P-CAP	128GB
POC-W213-B11D-ACE	Core i5-6300U 2.4G	4GB	P-CAP	128GB
POC-W213-C11D-ACE	Celeron 3955U 2.0G	4GB	P-CAP	128GB

Accessories

Part Number	Description
PDC-W215-STAND-H3E	PDC-W215 STAND_H3-741L type_6~12kg Black
1702002600	Power Cable (USA) 1.8 M
1702002605	Power Cable (Europe) 1.8 M
1700018704	Power Cord (UK) 1.8 M

Optional Modules

Part Number	Description
POC-W213-WF3E	WLAN (802.11 a/b/g/n/ac) and Bluetooth 4.1 Module
POC-W21X-BA0E	Battery Pack, 3S1P, 1750 mAh

For information about RFID, contact Advantech sales team

PCIe Module

Part Number	Description
96SER-9PN-2P-PE-UP	UPMOST RS-232 CARD 9PIN 2PORT PCIE(G)
XAESC-1213	UPMOST UTB101 1394A EXPANSION CARD
PCIE-1602C-AE	2-port RS-232/422/485 PCIe Comm. Card w/Iso
DMS-IR06-00A1E	Dual LAN port

Recommended Peripherals

- Table stands (TBSD-WHA741L)
- Keyboards (KBD-MCWU1020)
- Mouses (MOU-MCWU1001)
- Scanners (SCN-MCWIG829)

For more information: https://www.advantech.com/products/peripherals/sub_4728dfba-b560-43ba-b264-de3aae98b1ff

DeviceOn/iService

Unified Remote Device Management Software



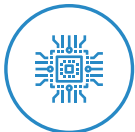
Features

- Supports Advantech devices equipped with Windows, Android, and Linux OS
- Flexible device, location, user, and permissions management
- Enables remote monitoring and control of hardware, software, and peripherals
- Supports over-the-air (OTA) firmware and software updates
- Ensures quick, easy, and secure device onboarding
- RESTful APIs for third-party system integration

Introduction

Advantech's DeviceOn/iService is a next-generation unified device management solution based on the WISE-DeviceOn platform. Designed to enable centralized monitoring and remote management, DeviceOn/iService supports Advantech devices equipped with Windows, Linux, or Android operating systems. The software also supports the management of applications and integrated peripherals, such as a barcode scanner, card reader, camera, and printer. Users can remotely access and control connected devices, take screenshots, rollout OTA upgrades, and use remote desktop capabilities for troubleshooting from any location at any time. Moreover, DeviceOn/iService supports batch operations to facilitate the management of multiple devices simultaneously for easy and convenient device configuration and deployment.

Total Management



Devices & Hardware

- Windows, Linux, Android
- Hardware, storage, battery



Software & Peripherals

- Software monitoring & access
- Screens, USB devices, printers



Open for Expansion

- Peripheral integration
- Open APIs for integration

Remote Access



Real-Time Monitoring

- Connection/hardware status
- Software/peripheral status
- Failure notifications



Remote Controls

- Power controls
- Audio, backlight controls
- Software controls



Troubleshooting

- Screenshots
- Remote desktop support

Operational Efficiency



OTA updates

- System/software updates
- File repository management
- App store



Batch Controls

- 1-to-many batch reboot, etc.
- Time-saving tasks



Setup Booster

- Software/peripheral watchlist
- Roles, rule templates

Note: Some functions may vary according to the product

System Architecture

