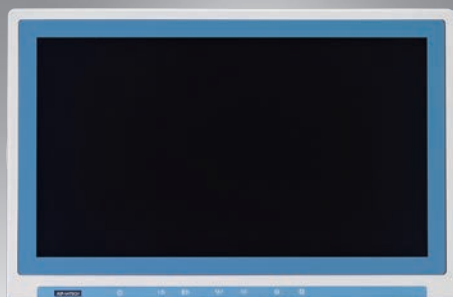


POC-WP213

21.5" Widescreen Point-of-Care Terminal with Fanless and Slim Design



DeviceOn/iService

Features

- Runs on Intel® 6th & 7th Generation, Skylake processor/ Kaby lake processor with a fanless, high performance profile
- Ultra-thin display, only 65 mm slim at its widest point
- Capable of displaying crystal clear images on its 21.5" wide-screen display
- Isolated design provides unique electric leakage protection for COM ports and LAN ports
- IP54 water resistant enclosure
- IEC 60601-1 Ed 3.1 compliance ensures highest levels of safety and reliability
- Optional Bluetooth, RFID, inner WLAN, IEEE 1394
- Support Intel® firmware trusted platform module (TPM) with Intel® Platform Trust Technology (Intel® PTT)
- Equipped with DeviceOn/iService software for remote device management



Introduction

POC-WP213 is equipped with an integrated SSD that facilitates real-time data processing and storage. Compliant with IEC 60601-1 medical safety standards for electrical devices, POC-WP213 terminals are built for reliable operation in a wide range of healthcare environments.

Moreover, POC-WP213 is equipped with Advantech's DeviceOn/iService software, which is a next-generation unified device management solution based on the WISE-DeviceOn platform. With support for batch operations and multi-device control, DeviceOn/iService enables easy device configuration and deployment for convenient remote device management.

Specifications

| | | | |
|------------------|--|--|--|
| Computing System | CPU* (Supports Intel® PTT Technology) | Intel® Core™ i7-6600U Processor (4M Cache, up to 3.40 GHz) Intel® Core™ i5-6300U Processor (3M Cache, up to 3.00 GHz) Intel® Core™ i3-6100U Processor (3M Cache, 2.30 GHz) Intel® Celeron® Processor 3955U (2M Cache, 2.00 GHz) | Intel® Core™ i7-7600U Processor (4M Cache, up to 3.90 GHz) Intel® Core™ i5-7300U Processor (3M Cache, up to 3.50 GHz) Intel® Core™ i3-7100U Processor (3M Cache, 2.40 GHz) Intel® Celeron® Processor 3965U (2M Cache, 2.20 GHz) |
| | Memory | DDR4 2133 SODIMM (up to 32GB) | 2 x DDR4 SODIMM slot (Default 4GB; Up to 16GB) |
| | Graphics Controller | Intel HD Graphics 520/510 | Intel HD Graphics 620/610 |
| | G-sensor | 2g/±4g/±8g/±16g, 6D/4D orientation detection | |
| | Operating System (Optional) | Windows 7/Windows 8.1 Industry Pro/Windows 10 IoT | Windows 10 IoT |
| Display | Display Size | 21.5" wide TFT color LCD (16:9) | |
| | Type | IPS | |
| | Max. Resolution | 1920 x 1080 (H x V) | |
| | Max. Colors | 16.7 M colors (6-bits+A-FRC) | |
| | Pixel Pitch (um) | 247.5 x 247.5 | |
| | Viewing Angle | 178/178° | |
| | Luminance | 250 cd/m ² | |
| | Backlight | LED | |
| Expansion Slot | LCD MTBF | 30,000 Hours | |
| | Contrast Ratio | 1000 : 1 | |
| Expansion Slot | Mini PCIe (mSATA) | 2 (1 x full-size, 1 half-size) | |
| | PCIe | 1 x PCIe (x4) (Max. card length: (Supports Gen 1/2/3) 1) without HDD/SSD: 167.65mm; 2) with HDD/SSD: 140 mm, or 167.65mm but with card width limited to 88 mm) | |
| I/O Ports | Serial Ports | 2 x RS-232/422/485 (1.5KV isolated) serial port | |
| | USB 3.0 ports | 2 x USB 3.0 ports (rear) | |
| | USB 2.0 Ports | 4 x USB 2.0 ports (rear & PCIe (x4) slot) | |
| | Audio | 2 x speakers (2 W) | |
| | HDMI | 1 x HDMI out, support resolution up to 4096 x 2304 @ 24Hz | |
| | Displayport | 1 x Displayport out, support resolution up to 4096 x 2304 @ 60Hz | |
| Storage | LAN | 2 x Gigabit Ethernet (1.5KV isolated) interfaces (RJ-45) | |
| | SSD (Default) | 128GB SSD | |
| | HDD/mSATA (Optional) | 2.5" SATA HDD instead of SSD*, Mini PCIe mSATA | |

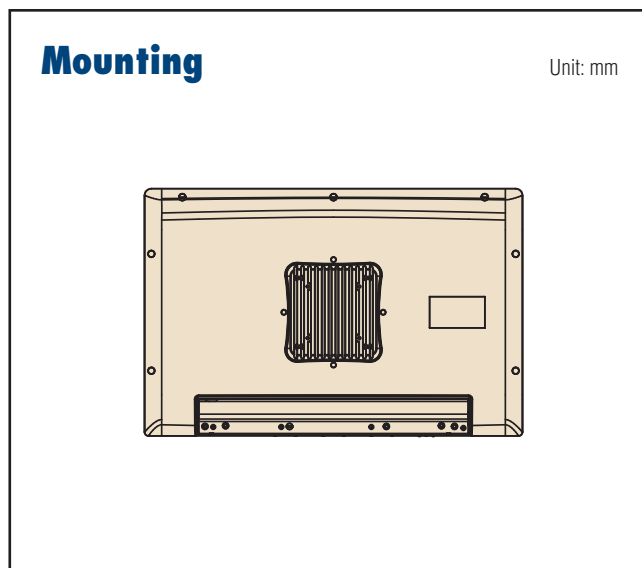
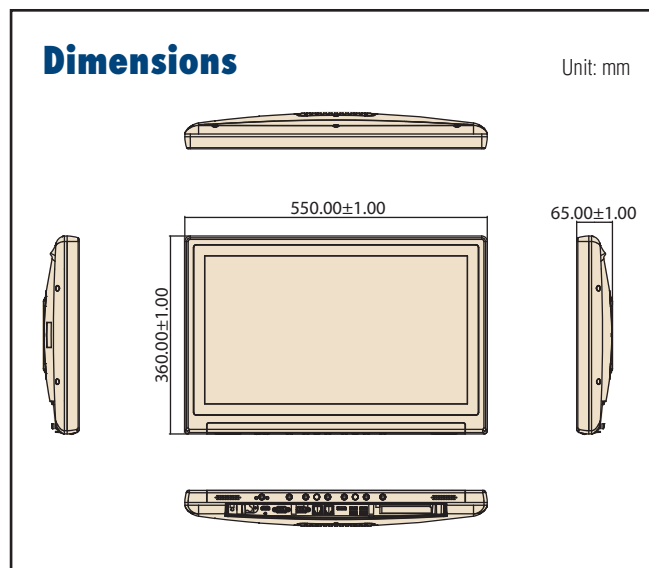
| | | | |
|--|--|---|---|
| Power Supply | Input Voltage | 100 - 240 V _{AC} , 47Hz to 63Hz, Maximum output power 150W | |
| | Output Voltage | 12.0 V ± 2%, 0A to 8.30A (at convection) | |
| Optional Functions | WLAN & Bluetooth | Qualcomm Atheros Dual-band (2.4/5GHz) 802.11 a/b/g/n/ac 2Tx/2Rx WiFi & Bluetooth v4.1 | |
| | RFID* | 13.56MHz, ISO-15693, ISO-14443A, ISO-14443B | |
| Optional Touchscreen | Type | Analog Resistive (Clear or AG) | Projected Capacitive 10-points (AR or AG) |
| | Resolution | Continuous | Continuous |
| | Light Transmission | 80±3% | 90±3% |
| | Controller | USB interface | USB interface |
| IP Rating | Entire System | IP54 | |
| | Front | IP65 | |
| Certifications | IEC 60601-1 Edition 3.1 compliance, CE & FCC Class B Edition 4.0 certified | | |
| Environment | Temperature | 0 ~ 40° C (32 ~ 104° F) (Operating) -20 ~ 60° C (-4~140° F) (Storage) | |
| | Humidity | 10 ~ 90% @ 40° C (Non-condensing) (Operating) 5% ~ 90% @40° C (Non-condensing) (Storage) | |
| | Shock Resistance | 20 G peak acceleration (11 ms duration) | |
| Physical Characteristics | Dimensions (W x D x H) | 550 x 360 x 65 mm (21.65" x 14.17" x 2.56") | |
| | Weight | 6.9 kg (15.2 lb) | |
| | VESA Mount | 100 x 100, 75 x 75 | |
| DeviceOn/iService Remote Device Management | Operating System | Windows 10 | |
| | Common Controls (Reboot, Shutdown) | ✓ | |
| | Remote desktop | ✓(VNC) | |
| | Device-Specific Controls (Audio, Backlight) | ✓○ | |
| | Connection Status | ✓ | |
| | Hardware Status | ✓○ | |
| | Hard Disk Status | ✓○ | |
| | Batch Operation Support | ✓ | |
| | OTA Storage Management | FTP | |
| | OTA Software Updates | ✓ | |
| | Software Watchlist | ✓ | |
| | Software Start/Stop | ✓○ | |
| | Peripherals Watchlist | ✓○ | |

○ Dependant on model

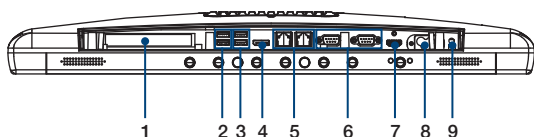
Note:

1.* = Customized solution contact Advantech sales team for more information

2. DeviceOn/iService software must be downloaded from the Advantech website at <https://www.advantech.com/search/?q=DeviceOn%2FiService&st=support&sst=Utility>



Rear I/O Ports



- (1) PCIe (x4) card slot
- (2) 2 x USB 2.0 ports
- (3) 2 x USB 3.0 ports
- (4) Displayport
- (5) 2 x Gigabit Ethernet interfaces (RJ-45)
- (6) 2 x RS-232/422/485 (isolated) serial port
- (7) HDMI out port
- (8) AC-in
- (9) Equipotential Terminal Pin

Back Side



Water/Dust resistance IP54 for whole system

Function Keys



- (1) Power
- (2) Volume Up/Down
- (3) Touchscreen Status Control
- (4) Read Light Control
- (5) Brightness Increase/Decrease

Ordering Information

| Part Number | CPU | DRAM | Touch Panel | SSD |
|--------------------|--------------------|------|-------------|-------|
| POC-WP213-A11D-ACE | Core i7-6600U 2.6G | 4GB | P-CAP | 128GB |
| POC-WP213-B11D-ACE | Core i5-6300U 2.4G | 4GB | P-CAP | 128GB |
| POC-WP213-C11D-ACE | Celeron 3955U 2.0G | 4GB | P-CAP | 128GB |
| POC-WP213-E11D-ACE | Core i7-7600U 2.8G | 4GB | P-CAP | 128GB |
| POC-WP213-F11D-ACE | Core i5-7300U 2.6G | 4GB | P-CAP | 128GB |

Accessories

| Part Number | Description |
|-------------|--|
| 1700008921 | POWER CORD 3P/3P POWER SUPPLY 1.83M ARK-5280 PSE (JPN) |
| 1700001524 | Power Cord 3P UL 10A 125V 180cm (US) |
| 170203183C | POWER Cord 3P Europe (WS-010+WS-083)183cm |

Optional Modules

| Part Number | Description |
|----------------|---|
| POC-WP213-WF3E | WLAN (802.11 a/b/g/n/ac) and Bluetooth 4.1 Module |

For information about RFID, contact Advantech sales team

PCIe Module

| Part Number | Description |
|--------------------|---|
| 96SER-9PN-2P-PE-UP | UPMOST RS-232 CARD 9PIN 2PORT PCIE(G) |
| XAEU-UTB101 | UPMOST UTB101 1394A EXPANSION CARD |
| PCIE-1602C-AE | 2-port RS-232/422/485 PCIe Comm. Card w/Iso |
| DMS-IR06-00A1E | Dual LAN port |

Recommended Peripherals

- Table stands (TBSD-WHA741L)
- Keyboards (KBD-MCWU1020)
- Mouses (MOU-MCWU1001)
- Scanners (SCN-MCWIG829)

For more information: https://www.advantech.com/products/peripherals/sub_4728dfba-b560-43ba-b264-de3aae98b1ff

DeviceOn/iService

Unified Remote Device Management Software



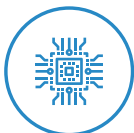
Features

- Supports Advantech devices equipped with Windows, Android, and Linux OS
- Flexible device, location, user, and permissions management
- Enables remote monitoring and control of hardware, software, and peripherals
- Supports over-the-air (OTA) firmware and software updates
- Ensures quick, easy, and secure device onboarding
- RESTful APIs for third-party system integration

Introduction

Advantech's DeviceOn/iService is a next-generation unified device management solution based on the WISE-DeviceOn platform. Designed to enable centralized monitoring and remote management, DeviceOn/iService supports Advantech devices equipped with Windows, Linux, or Android operating systems. The software also supports the management of applications and integrated peripherals, such as a barcode scanner, card reader, camera, and printer. Users can remotely access and control connected devices, take screenshots, rollout OTA upgrades, and use remote desktop capabilities for troubleshooting from any location at any time. Moreover, DeviceOn/iService supports batch operations to facilitate the management of multiple devices simultaneously for easy and convenient device configuration and deployment.

Total Management



Devices & Hardware

- Windows, Linux, Android
- Hardware, storage, battery



Software & Peripherals

- Software monitoring & access
- Screens, USB devices, printers



Open for Expansion

- Peripheral integration
- Open APIs for integration

Remote Access



Real-Time Monitoring

- Connection/hardware status
- Software/peripheral status
- Failure notifications



Remote Controls

- Power controls
- Audio, backlight controls
- Software controls



Troubleshooting

- Screenshots
- Remote desktop support

Operational Efficiency



OTA updates

- System/software updates
- File repository management
- App store



Batch Controls

- 1-to-many batch reboot, etc.
- Time-saving tasks



Setup Booster

- Software/peripheral watchlist
- Roles, rule templates

Note: Some functions may vary according to the product

System Architecture

