

M101P-ME

10.1" Intel® Pentium® N4200 Healthcare Rugged Tablet PC



KEY FEATURES

- 10.1" 1920 x 1200 IPS LED Panel with direct optical bonding
- Intel® Pentium® N4200 Processor
- Housing enhanced with antimicrobial properties
- Long battery life
- USB 3.0 (Type C) connector
- Optional 1D/2D barcode scanner to scan medications or wrist bands
- Lightweight, rugged, IP65 waterproof and dustproof
- Certified IEC 60601-1, 60601-1-2



SPECIFICATIONS

Display			
Type	Projected Capacitive Multi Touch	Viewability	Anti-Glare touch treatment
Bonding	Optical Bonding for Sunlight Viewability	Resolution	1920x1200
Size	10.1 inches	Contrast Ratio	800:1
Panel Brightness	600 nits	View Angles	85,85,85,85
System Specification			
Processor	Intel Pentium N4200 Processor 1.10 GHz, up to 2.50 GHz with turbo boost technology	Memory	4GB LPDDR4 8GB LPDDR4 (Optional)
Storage	128GB SSD Additional storage available with micro SDXC card slot 256GB SSD (Optional) 512GB SSD (Optional)	Security	Trusted Platform Module (TPM) 2.0
Operating System	Windows 10 IoT Enterprise (64 bit)	WLAN	802.11 a/b/g/n/ac
BT	BT Support	WWAN	4G LTE (Optional)
GNSS	GPS, GLONASS	RFID	HF RFID 13.56 MHz reader (Optional) add-on UHF RFID Reader (Optional)
Sensors	Light sensor/ g-sensor / Gyro / E-compass	Smart Card Reader	Add-on Smart Card Reader (Optional)
Camera			
Front Camera	2MP Front Camera	Rear Camera	8MP Rear Camera with auto-focus and LED light
Mechanical			
Dimension	271.9 x 197.3 x 19.5 mm	Weight	1.2 kg (2.65 lbs) with standard battery, 1.4 kg (3.1 lbs) with optional high capacity battery
Cooling System	Fanless design		
IO Ports			
USB Port	1 x USB 3.0 (Type A), 1 x USB 3.0 (Type C)	SD Card Slot	1 x Micro SDXC slot
SIM Card Slot	1 x SIM card slot	Video	1 x Micro HDMI (Optional)
Audio	1 x Audio combo 3.5mm audio combo jack (Mic in or Line Out) Dual Digital Mic With Noise Cancellation Dual Speaker	Expansion Port	1 x Expansion connector for USB 2.0/ Full RS232 (Optional)
Indicator	4x LED Indicator for Power, Battery, HDD, RF	Docking Connector	1 x 19-pin docking connector

status

Environment

Operating Humidity	10% to 90% RH, non-condensing	Operating Temperature	0 to 35°C
Storage Temperature	-30°C to 70°C (-22°F to 158°F)	Shock	MIL-STD-810G Method 516.6 Procedure I
Vibration	MIL-STD-810G Method 514.6 Procedure I	IP rating	IP65 certified, dustproof and waterproof
Drop	MIL-STD-810G Method 516.6, 4 ft		

Certification

Certification	CE, FCC, UL, PTCRB, Verizon, IEC/EN 60601-1, IEC/EN 60601-1-2, UL 60601-1
----------------------	---

Security Function

SOTI MobiControl	SOTI MobiControl Compliance	Kensington Lock	Kensington Lock Support
-------------------------	-----------------------------	------------------------	-------------------------

Control

Button	1 x Power, 1 x Home, 2 x Volume, 2 x Programmable Function Keys
---------------	---

Power

Battery	Hot-swappable 7.4V, typ. 5140 mAh Li-Polymer Battery (2S1P) 7.4V, typ. 10280 mAh Li-Polymer Battery (2S2P, Optional)	Battery Operating Time	Standard Battery: 8 hours
Power Rating	12-19V DC	Adapter	100-240V, 50-60Hz (19V DC)

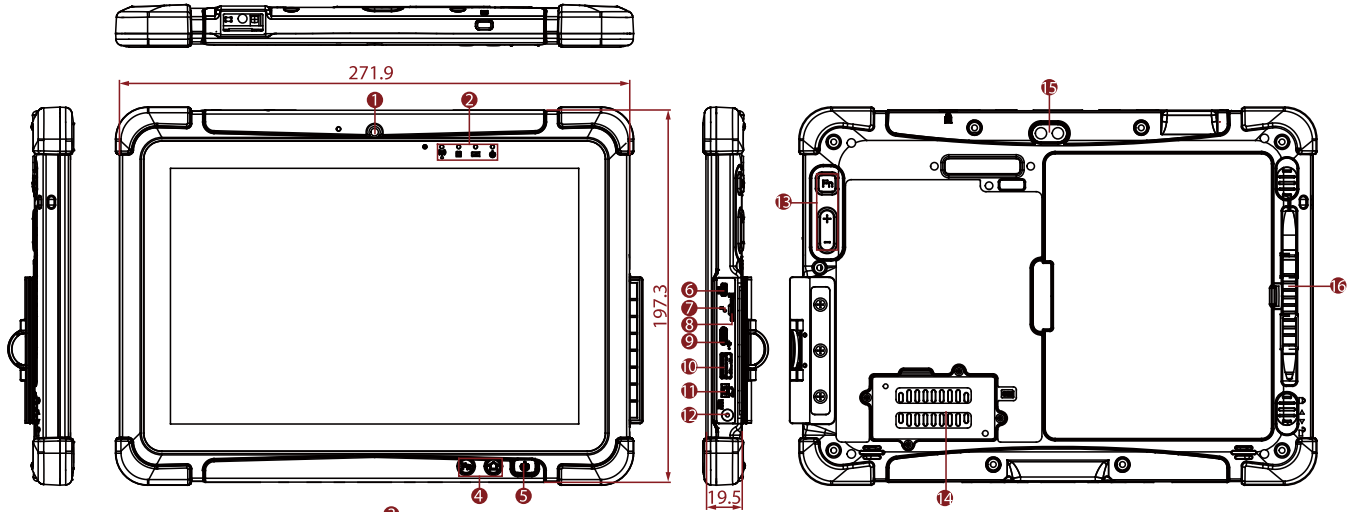
Accessory

Accessory	Adapter and Power Cord Capacitive Stylus Standard Battery	Optional Accessory	Desk Dock (Optional) Vehicle Dock (without VGA output) (Optional) Vehicle Cradle (Optional) Battery Charger (Optional) Smart Card Reader (Optional) High Capacity Battery (Optional) Hand Strap (Optional) VESA Mount Kit (Optional) Shoulder Strap (Optional) Carry Bag (Optional) Vehicle Charger (Optional)
------------------	---	---------------------------	--

Barcode Scanner

Barcode Scanner	1D/2D barcode reader (Optional)
------------------------	---------------------------------

DIMENSIONS UNIT:MM



- 1 Camera
- 2 LED Indicator
- 3 Docking Connector
- 4 Function Button
- 5 Power Switch
- 6 Micro HDMI
- 7 Reset Button
- 8 Micro SD Card Slot
- 9 USB Type-C
- 10 USB Type-A
- 11 Audio
- 12 Power Input
- 13 Function Button
- 14 LTE Module/SIM Card Slot
- 15 Camera
- 16 Touch Pen Slot